



## SLT LED STRIP CHANNEL SLT3020

Profile LED strip channel - clip-on

### Application

An creative solution for residential and commercial interior spaces

### Design Specifications

- Extruded aluminium body
- Anodize silver finish
- Clear reeded polycarbonate diffuser
- Supplied with end caps
- Standard channel length: 1000mm or 2000mm



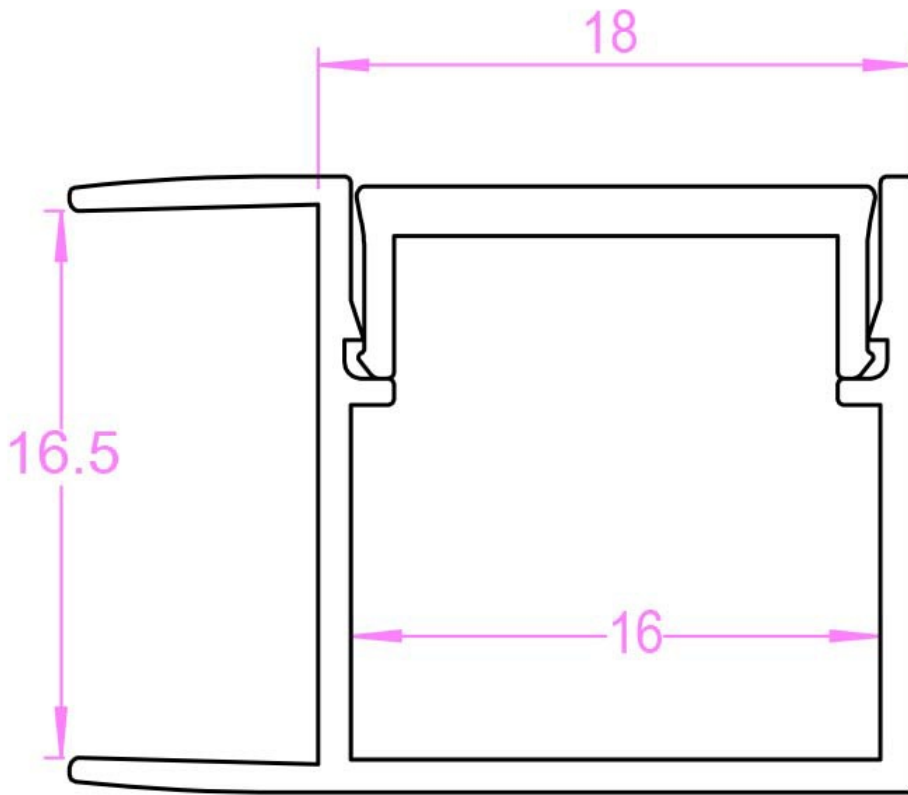
### Technical Specification

Model No.	Description
SLT3020	CHANNEL CLIP ON 19mm x 19mm x 1000mm
SLT3020/2M	CHANNEL CLIP ON 19mm x 19mm x 2000mm

Due to continued product and technology enhancements, data sourced from sal.net.au shall not form part of any contract and or technical performance guarantee unless expressly confirmed in writing by SAL at the time of order. Products are sold in accordance with [SAL Terms and Conditions of sale](#) and all images shown are for illustration purposes only and may vary from the actual colour or finish. Unless specifically stated, all IP ratings nominated for Interior products are from "below the ceiling".



## Dimensions



SLT3020

## Product Images

