



REDUCER RING S9922 S9923

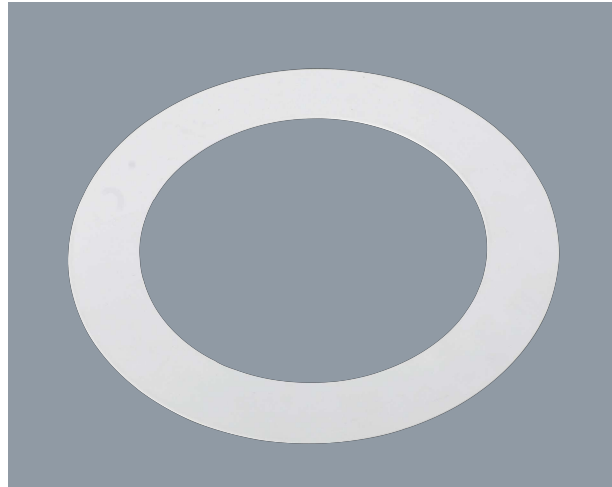
Interior downlight reducer rings

Application

Residential or Commercial interior spaces

Design Specifications

- Pressed steel plate, gloss white powder coat finish
- S9922 - Suits SAL S9522, S9074, S9545, S9656
- S9923 - Suits SAL S9523, S9075
- Cut outs for reducer rings S9922, S9923 refer dimensions



Due to continued product and technology enhancements, data sourced from sal.net.au shall not form part of any contract and or technical performance guarantee unless expressly confirmed in writing by SAL at the time of order. Products are sold in accordance with [SAL Terms and Conditions of sale](#) and all images shown are for illustration purposes only and may vary from the actual colour or finish. Unless specifically stated, all IP ratings nominated for Interior products are from "below the ceiling".

Dimensions

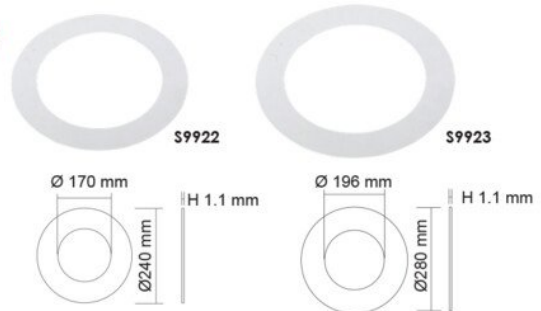
REDUCER RINGS S9922, S9923

Interior downlight adaptor plates

Design Specifications

- Adaptor plate, gloss white powder coat finish

Technical Specifications



Model No.	Internal (D mm)	Overall (D mm)	Colour	Suits
S9922	170	240	White	S9522, S9074, S9545, S9656
S9923	196	280	White	S9523, S9075

THE SFI SYSTEM ELIMINATES LED FLICKERING.

**SIMPLY
MATCH THE
ECO GEM SFI
DOWNLIGHT
WITH THIS
SDD400SFI
DIMMER.**



**DIM with
FLICKER
CONTROL**

For related
products
please
scan me

