



QUICK CONNECT SURFACE SOCKET ESS103

Quick connect inline surface socket, 250V / 10A rated

Application

Inline surface socket designed to save you installation time and money

Design Specifications

- Australian approved three pin 250V, 10A socket, compliant to AS/NZS3112:2017
- Secure clip lock design
- Innovative transparent rear termination inspection cover
- Durable polycarbonate construction
- Designed to suit 1.5mm to 2.5mm flat twin and earth TPS, stranded cable only for installation by a qualified electrical installer

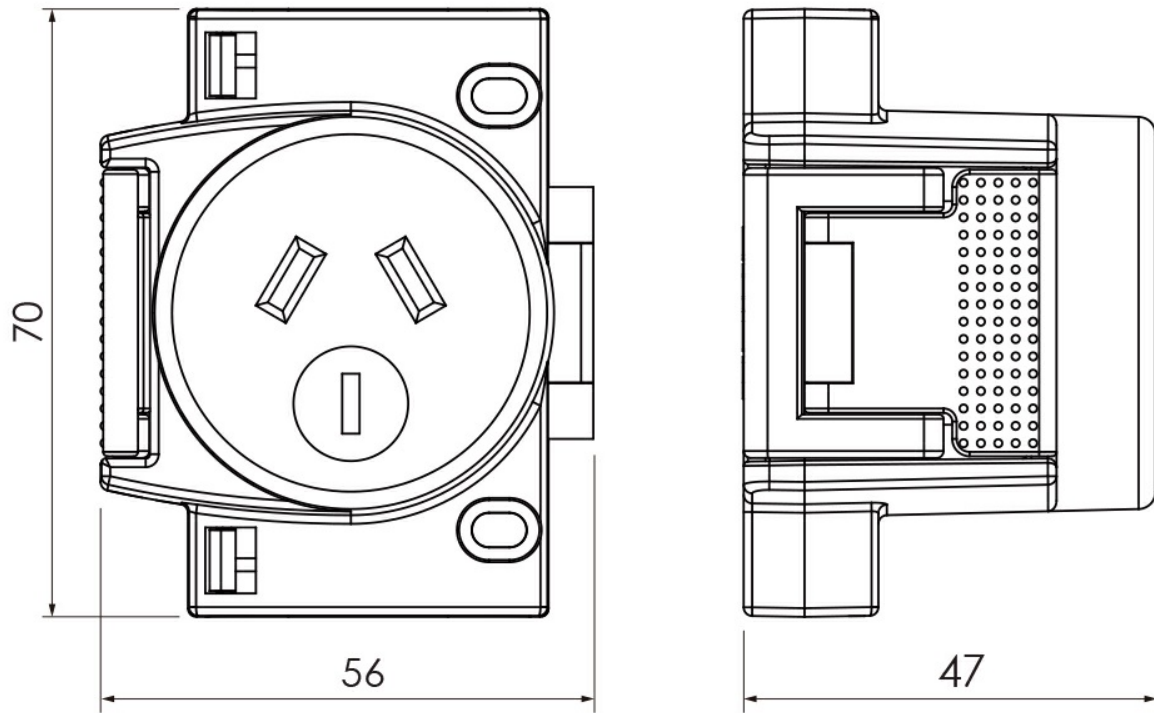


Technical Specification

Model No.	Description	Input Voltage (V/AC)	Dimensions (mm)	Body Colour
ESS103	SURFACE SOCKET 250V 10A	250	70(L) x 56(W) x 47(H)	WHITE

Due to continued product and technology enhancements, data sourced from sal.net.au shall not form part of any contract and or technical performance guarantee unless expressly confirmed in writing by SAL at the time of order. Products are sold in accordance with [SAL Terms and Conditions of sale](#) and all images shown are for illustration purposes only and may vary from the actual colour or finish. Unless specifically stated, all IP ratings nominated for Interior products are from "below the ceiling".

Dimensions



Product Images

