



PORT MKIII - SHP210/50NDL2

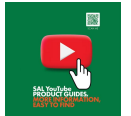
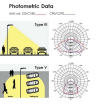
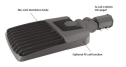
IP66 LED area luminaire, IK10 rated

Application

A decorative and versatile exterior commercial solution

Design Specifications

- Stylish die-cast aluminium body, durable powder coated finish in charcoal black
- Adjustable spigot (60mm OD) mounting, 0 - 90°
- High efficiency LED optics, CRI >70, CCT 5000K, optional 3000K/4000K
- Integral constant current non-dimmable LED driver, pre-wired with 1500mm of 3 core rubber flex for easy termination
- Light distribution - Standard Symmetric (Type V), Optional to order Asymmetric (Type III, IV) and Symmetrical (90°)
- PEB shorting cap provided as standard, optional ELV PE cell configurations available, PE cell SHP210G3PE



Performance

- Dimmable - **NO**



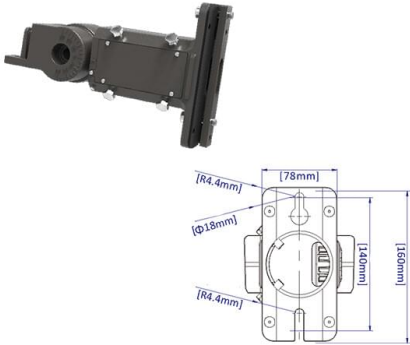
Technical Specification

Product	Model No.	Input Voltage (V/AC)	Power (W)	Lumens (lm)	CCT (K)	CRI
	SHP210/50NDL2	240	50	8000	5000	70
	SHP210UB50/P					
	SHP210G3PE					

Body Colour	Mass (kg)	Length (mm)	Width (mm)	Height (mm)	IPART	VEET
CHARCOAL BLACK	3.4	568	299	82	N/A	N/A
CHARCOAL BLACK					N/A	N/A
GREY					N/A	N/A

Due to continued product and technology enhancements, data sourced from sal.net.au shall not form part of any contract and or technical performance guarantee unless expressly confirmed in writing by SAL at the time of order. Products are sold in accordance with [SAL Terms and Conditions of sale](#) and all images shown are for illustration purposes only and may vary from the actual colour or finish. Unless specifically stated, all IP ratings nominated for Interior products are from "below the ceiling".

Dimensions



BENTO S9601 SQUARE PROFILE IP44 LED DOWNLIGHT.

PRODUCT INFO GUIDE

BLADE LED BATTEN SL9707TC LOW PROFILE WIDE BODY

35W

PRODUCT INFO GUIDE

BLADE LED BATTEN SL9709TC LOW PROFILE WIDE BODY

50W

PRODUCT INFO GUIDE

BRIGHTSTAR ECO SE7199 LED FLOODLIGHTS

PRODUCT INFO GUIDE

THE VERSATILE CANOPY LED SHP205

PRODUCT INFO GUIDE

COOPER III

PRODUCT INFO GUIDE

COOLM PLUS S9167TC

PRODUCT INFO GUIDE

COOPER II

PRODUCT INFO GUIDE

ECOLINE XV SL9731TC/DP

PRODUCT INFO GUIDE

ECOLINE SL9738 LED WIDE DIFFUSED BATTEN

PRODUCT INFO GUIDE

EMERGENCY EXIT SELK1500EX2

PRODUCT INFO GUIDE

THE NEW QUICK CONNECT ES5107

PRODUCT INFO GUIDE

STREAMLINE LOW PROFILE FISBE SL2104TC

PRODUCT INFO GUIDE

THE NEW GIBALTAR SL9722 TC LED VANDAL PROOF BATTEN

PRODUCT INFO GUIDE

REMARK D LED DOWNLIGHTS

PRODUCT INFO GUIDE

COOLM PLUS S9168TC

PRODUCT INFO GUIDE

SLIMLINE SEAMLESS TC LINKABLE SL9706

PRODUCT INFO GUIDE

PIXIE AMBIENCE SMART SOCKET

PRODUCT INFO GUIDE

STARPAD II SE7071 TC FLOODLIGHT

PRODUCT INFO GUIDE

THE NEW UFO SHB23MP150TC LED HIGH BAY

PRODUCT INFO GUIDE

WAVE SF S9065TC LED DOWNLIGHT

PRODUCT INFO GUIDE

WIDELINE SL9733TC/DP

PRODUCT INFO GUIDE

BISMARCK II S9794 LED PANEL

PRODUCT INFO GUIDE

UFO SHB23SE HIGH BAY

PRODUCT INFO GUIDE

COOLM PLUS S9069TC

PRODUCT INFO GUIDE

ALTONA SQUARE OR ROUND LED WALL LUMINAIRE

PRODUCT INFO GUIDE

BRIGHT STAR LED FLOODLIGHT SE7199

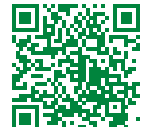
PRODUCT INFO GUIDE

BUNKER 15 TC ROUND

PRODUCT INFO GUIDE

BUNKER 15 TC OVAL

PRODUCT INFO GUIDE



Scan me

**SAL YouTube
PRODUCT GUIDES,
MORE INFORMATION,
EASY TO FIND**