



PIXIE SMART PIR SENSOR INDOOR - SMS861CD/BTAM

PIXIE MASTER DEVICE - SMART HOME ceiling mount PIR Sensor, complete with recessed and surface mount functions IP20

Application

Versatile residential and commercial sensor applications with Smart function control

Design Specifications

- Hold time and brightness threshold adjustment can be set via physical dials, and in the App
- Maximum loads (LED) 400W, (Halogen) 800W
- Designed for surface mount or recessed mount applications
- Detection angle 360° up to 8 metres in diameter at a height of 4 metres
- Simply use the App or PIXIE secondary device to switch among 3 working modes: Motion sensor mode, Override ON, and Override OFF
- 3 wire design



Performance

- Dimmable - **NO**
- In Built Sensor - **YES**
- Sensor Type - **PIR**

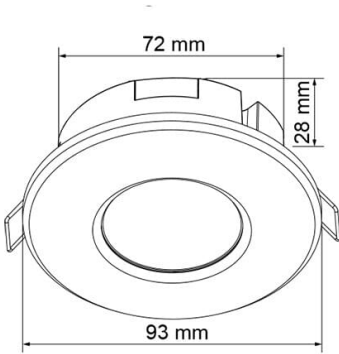


Technical Specification

Product	Model No.	Input Voltage (V/AC)	Body Colour	Diameter (mm)	Dim (mm)	Cut Out (mm)
	SMS861CD/BTAM	240	WHITE	93	28(H)	72

Due to continued product and technology enhancements, data sourced from sal.net.au shall not form part of any contract and or technical performance guarantee unless expressly confirmed in writing by SAL at the time of order. Products are sold in accordance with [SAL Terms and Conditions of sale](#) and all images shown are for illustration purposes only and may vary from the actual colour or finish. Unless specifically stated, all IP ratings nominated for Interior products are from "below the ceiling".

Dimensions



PIXIE SMART HOME AUTOMATION.

