



OPAL LG95 DIM - 10W

10 watt dimmable LED SMD opal spherical lamp

Application

Energy efficient LED lamp solutions

Design Specifications

- Opal polycarbonate diffuser
- Poly covered aluminium body, B22 or E27 lamp bases
- High efficiency SMD LED chips, beam 240 degree
- Integral trailing edge dimmable LED driver
- Colour temperature 3000K / 6000K, CRI >80
- 1:1 size to traditional spherical lamp, dimmable, suits most spherical lamp fittings, double insulation

Performance

Dimmable - **YES**

Dimmer Type - **Trailing edge**



-
-
-
-
-
-
-
-
- WARM WHITE 3000K**
- DAYLIGHT 6000K**

Technical Specification

Model No.	Description	Input Voltage (V/AC)	Power (W)	Lumens (lm)	CCT (K)	CRI
LG95/830B22	LED SPH. 10W 95mm BC 3K DIM.	240	10	900	3000	80
LG95/860B22	LED SPH. 10W 95mm BC 6K DIM.	240	10	950	6000	80
LG95/830E27	LED SPH. 10W 95mm ES 3K DIM.	240	10	900	3000	80
LG95/860E27	LED SPH. 10W 95mm ES 6K DIM.	240	10	950	6000	80

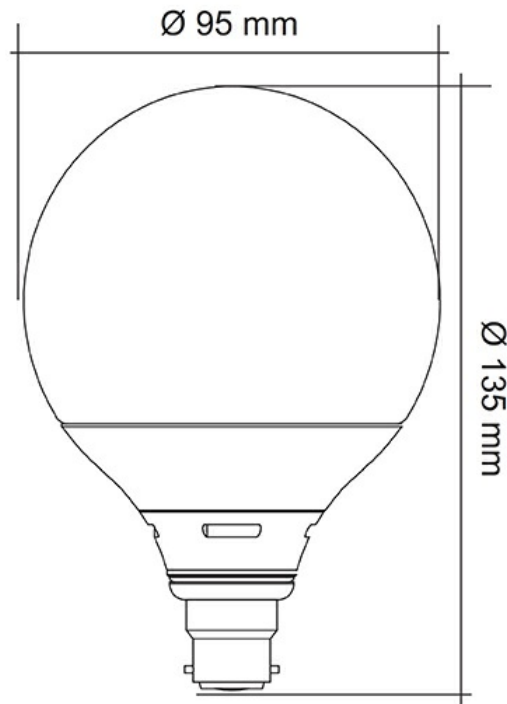
Model No.	Beam Angle (°)	Dimmable	Dimensions (mm)	Base Type
LG95/830B22	240	YES	135(L) x 95(W)	B22
LG95/860B22	240	YES	135(L) x 95(W)	B22
LG95/830E27	240	YES	135(L) x 95(W)	E27
LG95/860E27	240	YES	135(L) x 95(W)	E27

Due to continued product and technology enhancements, data sourced from sal.net.au shall not form part of any contract and or technical performance guarantee unless expressly confirmed in writing by SAL at the time of order. Products are sold in accordance with [SAL Terms and Conditions of sale](#) and all images shown are for illustration purposes only and may vary from the actual colour or finish. Unless specifically stated, all IP ratings nominated for Interior products are from "below the ceiling".

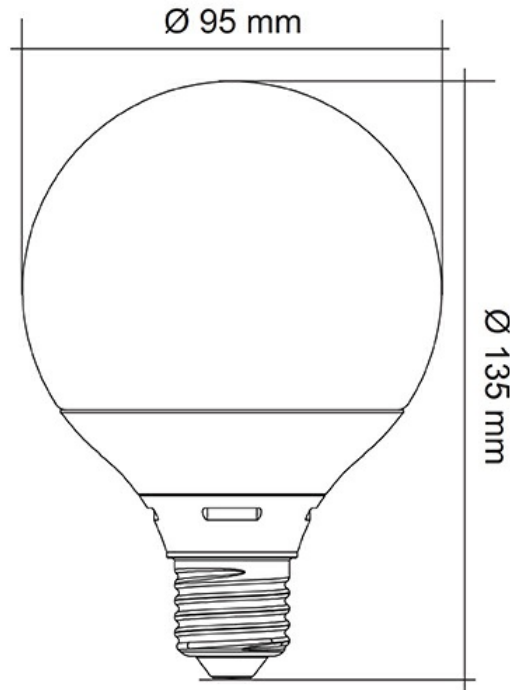


Dimensions

LG95 B22



LG95 E27



Product Images

