



## NEWMAN III S9525 - 15/25W

Rotable scoop LED Shoplight

### Application

Ideal for any retail or commercial interior space

### Design Specifications

- Durable die-cast aluminium body profile
- Stylish white powder coat finish
- The bracket mechanism ensures optimum tilting function 60° (-15° ~ +45°) and rotating 340°
- High output COB LED chip, beam angle 40 degree standard, optional 24 degree
- High performance optical lens with a changeable multi-reflector system
- Constant current trailing edge dimmable and non-dimmable driver configurations fitted with flex and plug - refer to model number.



### Performance

Dimmable - **OPTIONAL**

Dimmer Type - **Trailing edge, 1-10V, DALI / DSI**

### Technical Specification

Model No.	Description	Input Voltage (V/AC)	Power (W)	Lumens (lm)	CCT (K)	Beam Angle (°)
S9525/92WW/WH	DIMMABLE LED SHOP LIGHT 15W 3K WH	240	15	1300	3000	40
S9525/92CW/WH	DIMMABLE LED SHOP LIGHT 15W 4K WH	240	15	1400	4000	40
S9525/92DL/WH	DIMMABLE LED SHOP LIGHT 15W 6K WH	240	15	1500	5700	40
S9525/125WW/WH	LED SHOP LIGHT 25W 3K WH	240	25	1900	3000	40
S9525/125CW/WH	LED SHOP LIGHT 25W 4K WH	240	25	2000	4000	40
S9525/125DL/WH	LED SHOP LIGHT 25W 6K WH	240	25	2100	5700	40
S9525/145WW/WH	LED SHOP LIGHT 35W 3K WH	240	35	2600	3000	40
S9525/145CW/WH	LED SHOP LIGHT 35W 4K WH	240	35	2700	4000	40
S9525/145DL/WH	LED SHOP LIGHT 35W 6K WH	240	35	2800	5700	40

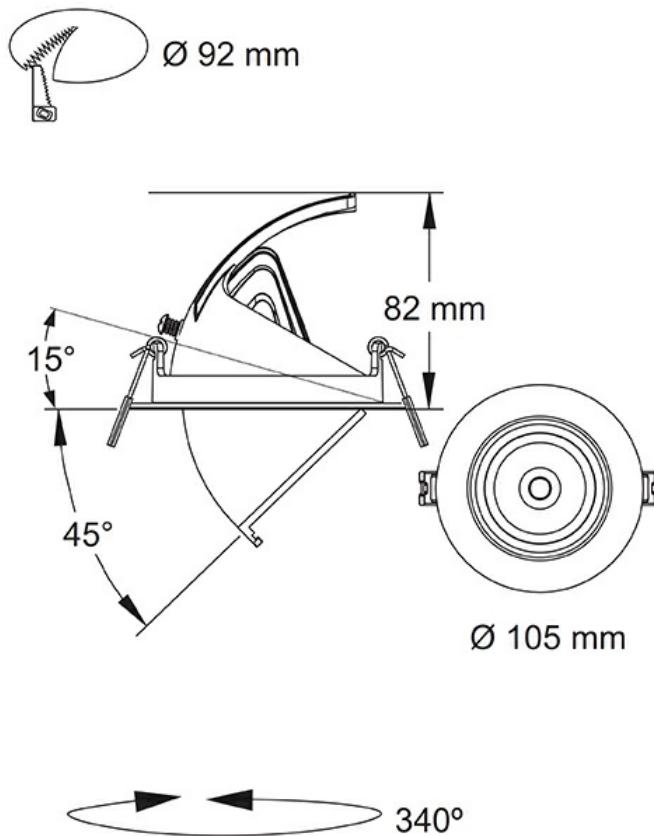


Model No.	Dimmable	CRI	Body Colour
S9525/92WW/WH	YES	80	WHITE
S9525/92CW/WH	YES	80	WHITE
S9525/92DL/WH	YES	80	WHITE
S9525/125WW/WH	OPTIONAL	80	WHITE
S9525/125CW/WH	OPTIONAL	80	WHITE
S9525/125DL/WH	OPTIONAL	80	WHITE
S9525/145WW/WH	OPTIONAL	80	WHITE
S9525/145CW/WH	OPTIONAL	80	WHITE
S9525/145DL/WH	OPTIONAL	80	WHITE

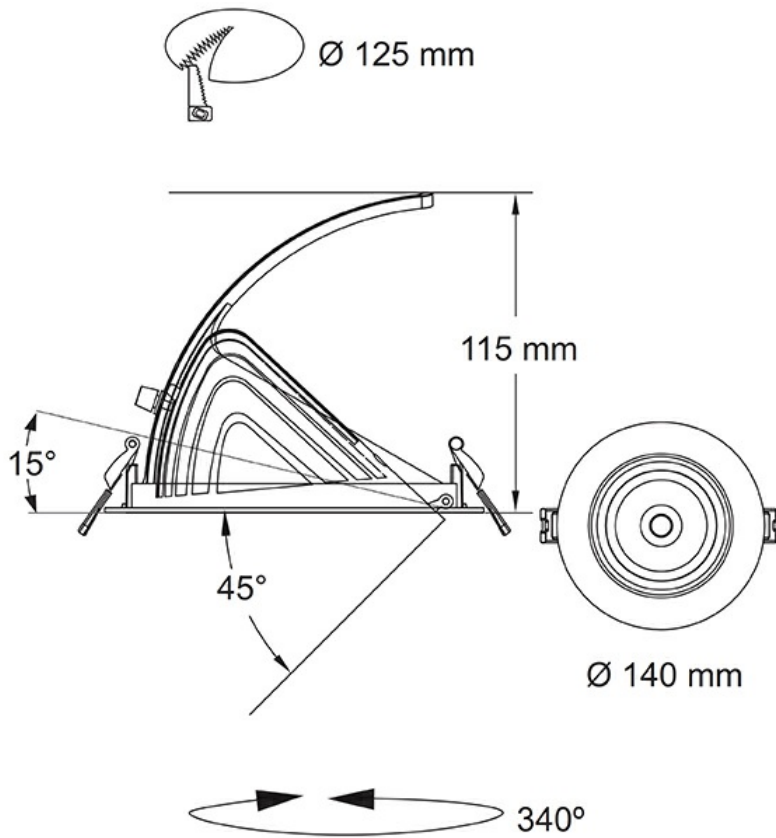
Due to continued product and technology enhancements, data sourced from sal.net.au shall not form part of any contract and or technical performance guarantee unless expressly confirmed in writing by SAL at the time of order. Products are sold in accordance with [SAL Terms and Conditions of sale](#) and all images shown are for illustration purposes only and may vary from the actual colour or finish. Unless specifically stated, all IP ratings nominated for Interior products are from "below the ceiling".

## Dimensions

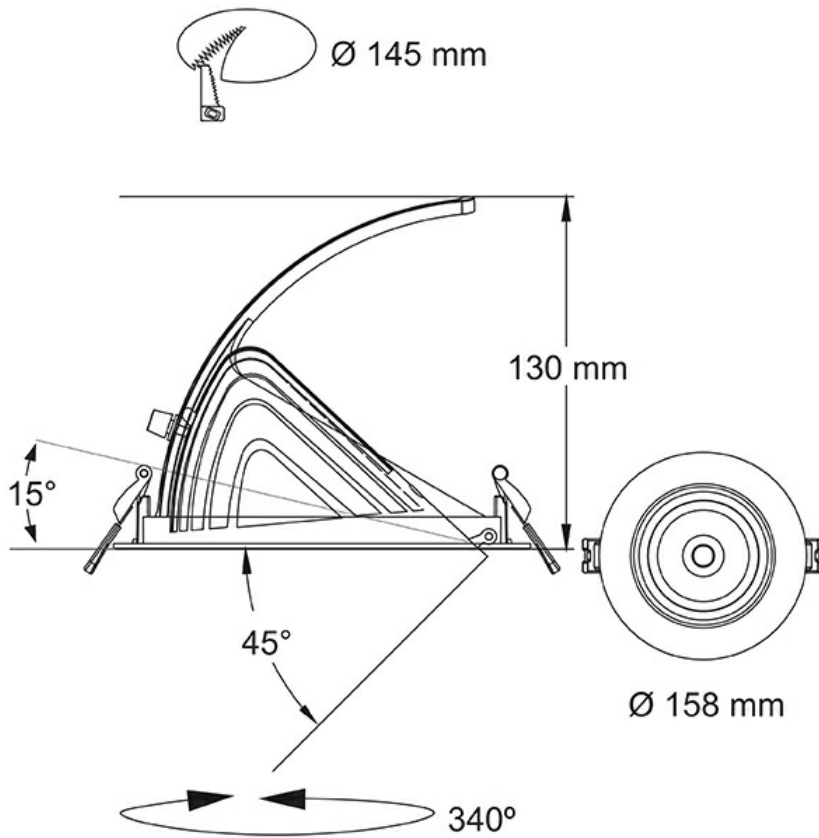
### S9525 - 92



### S9525 - 125



S9525 - 145



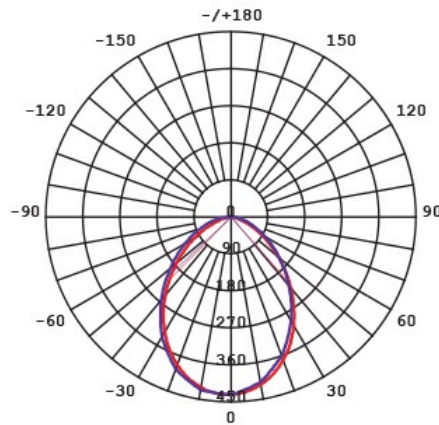
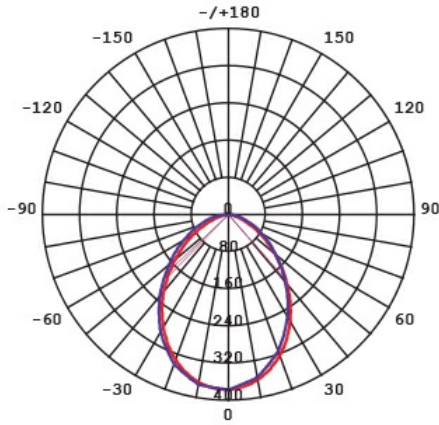


## Photometric Data

Unit: cd C0/C180 \_\_\_\_\_ C90/C270 \_\_\_\_\_

**S9525/92WW/WH at 3000K**

**S9525/145WW/WH at 3000K**



## Product Images

