



MEMPHIS ROUND SL9719RD/EM - 22W

Maintained emergency 22 watt, IP65 LED round surface mount luminaire, IK10 rated

Application

A robust solution for industrial and commercial spaces

Design Specifications

- Die-cast aluminium body
- Frosted polycarbonate diffuser, silicon gasket
- Stainless steel allen screws
- High efficiency SMD LED chips
- Integral constant current non-dimmable LED driver
- Compliant to AS/NZS2293 Emergency Lighting & Exit Signs, guaranteed minimum 90 minutes emergency mode function with LiFePO4 battery technology. Emergency spacing classification D32

Performance

Dimmable - **OPTIONAL**



-
-
-
-
-
-

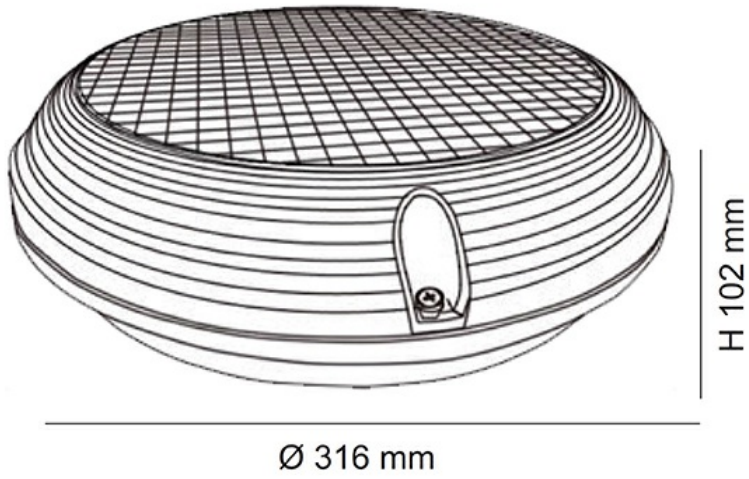
Technical Specification

Model No.	Description	Input Voltage (V/AC)	Lumens (lm)	Power (W)	CCT (K)	CRI
SL9719RD/EM	LED OYSTER 316mm RND EM IP65 4K WH	240	1700	22	4000	80

Model No.	Body Colour	Dimensions (mm)
SL9719RD/EM	WHITE	102(H)

Due to continued product and technology enhancements, data sourced from sal.net.au shall not form part of any contract and or technical performance guarantee unless expressly confirmed in writing by SAL at the time of order. Products are sold in accordance with [SAL Terms and Conditions of sale](#) and all images shown are for illustration purposes only and may vary from the actual colour or finish. Unless specifically stated, all IP ratings nominated for Interior products are from "below the ceiling".

Dimensions



Photometric Data

Photometric Data (at maintained power)

Unit: cd C0/C180 _____ C90/C270 _____

SL9719RD at 4000K

