



## LEEMAN S9318 - 1.5W

LED 1.5 watt recessed square profile wall luminaire

### Application

Residential stairs, walkways and interior commercial features

### Design Specifications

- Durable aluminium body profile
- Quality matt white powder coat finish or anodized silver
- High efficiency SMD LED chips, CCT 3000K, beam distribution 86 degree
- Frosted glass diffuser
- Suitable drivers - PLUTO EGL12V/6W, PLUTO 15DV, 30DV, 50DV
- 12V AC or DC non-dimmable driver required.  
Optional accessories, pre-install box (LWH: 218 x 133 x 74mm)



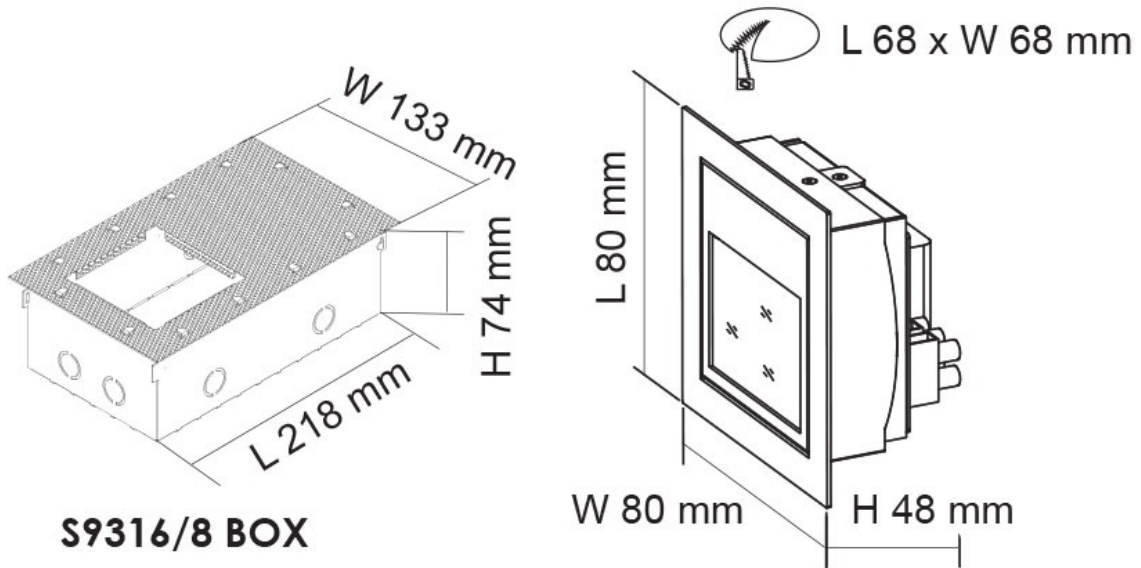
### Technical Specification

Model No.	Description	Input Voltage (V/AC)	Input Voltage (V/DC)	Power (W)	Lumens (lm)	CCT (K)
S9318 AS	ALU LED W/L ANODIZED SL 12V	12	12	1.5	70	3000
S9318 MW	ALU LED W/L MATT WH 12V 1.5W	12	12	1.5	70	3000

Model No.	CRI	Beam Angle (°)	Dimmable	Dimensions (mm)	Body Colour
S9318 AS	80	86	NO	80(L) x 80(W) x 48(H)	Anodised Silver
S9318 MW	80	86	NO	80(L) x 80(W) x 48(H)	White

Due to continued product and technology enhancements, data sourced from sal.net.au shall not form part of any contract and or technical performance guarantee unless expressly confirmed in writing by SAL at the time of order. Products are sold in accordance with [SAL Terms and Conditions of sale](#) and all images shown are for illustration purposes only and may vary from the actual colour or finish. Unless specifically stated, all IP ratings nominated for Interior products are from "below the ceiling".

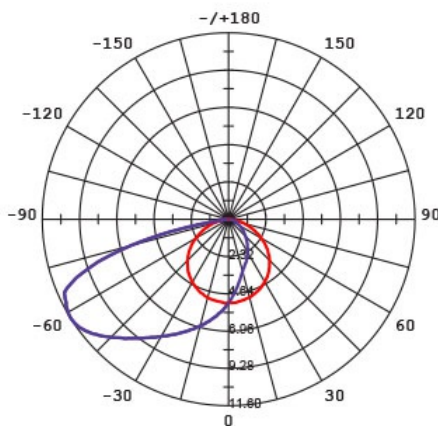
## Dimensions



## Photometric Data

Unit: cd C0/C180 \_\_\_\_\_ C90/C270 \_\_\_\_\_

### S9318 at 3000K





## Product Images

---

