



## LED IP65 LPAR38TC - 12W

12 watt PAR38 LED, IP65, E27 lamp base, with selectable CCT

### Application

Perfect for retail and residential spaces

### Design Specifications

- Opal polycarbonate diffuser
- Poly covered aluminium body
- High efficiency LED optics, beam distribution 100 degree
- Integral non-dimmable LED driver, E27 lamp base
- Selectable CCT 3000K / 4000K / 6000K, CRI >80
- Double insulation, designed for equivalent IP rated PAR floodlights, installed in under covered eave environments



### Technical Specification

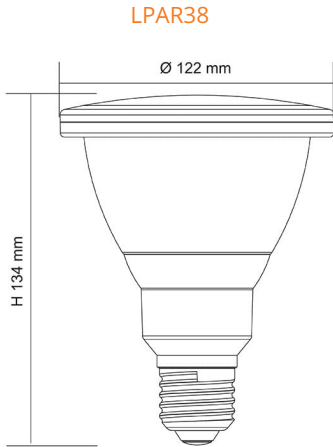
Product	Model No.	Input Voltage (V/AC)	Power (W)	Lumens (lm)	CCT (K)	CRI
	LPAR38TC	240	12	1500/1700/1500	3000/4000/6000	80
Beam Angle (°)		Dimmable		Base Type		
100		NO		E27		

**IMPORTANT**, where CCT selection switching is provided, it is important to switch OFF the SUPPLY before the CCT selection is made, otherwise equipment damage may occur.

Due to continued product and technology enhancements, data sourced from sal.net.au shall not form part of any contract and or technical performance guarantee unless expressly confirmed in writing by SAL at the time of order. Products are sold in accordance with [SAL Terms and Conditions of sale](#) and all images shown are for illustration purposes only and may vary from the actual colour or finish. Unless specifically stated, all IP ratings nominated for Interior products are from "below the ceiling".



## Dimensions



# THE SFI SYSTEM ELIMINATES LED FLICKERING.

**SIMPLY  
MATCH THE  
UNIFIT SFI  
DOWNLIGHT  
WITH THIS  
SDD400SFI  
DIMMER.**



**DIM with  
FLICKER  
CONTROL**

For related  
products  
please  
scan me

