



LED AR111/1700 - 20W

AR111 LED lamp module, dimmable

Application

Energy efficient LED lamp solutions

Design Specifications

- Die-cast aluminium body
- High output COB LED, 3000K / 4000K
- Specially designed optical lens, high performance changeable multi-faceted reflector system
- Constant current dimmable LED driver required
- Standard beam angles refer Technical Specification table below, AR111/1700 40 degree option

Performance

Dimmable - **YES**

Dimmer Type - **Trailing edge**



Technical Specification

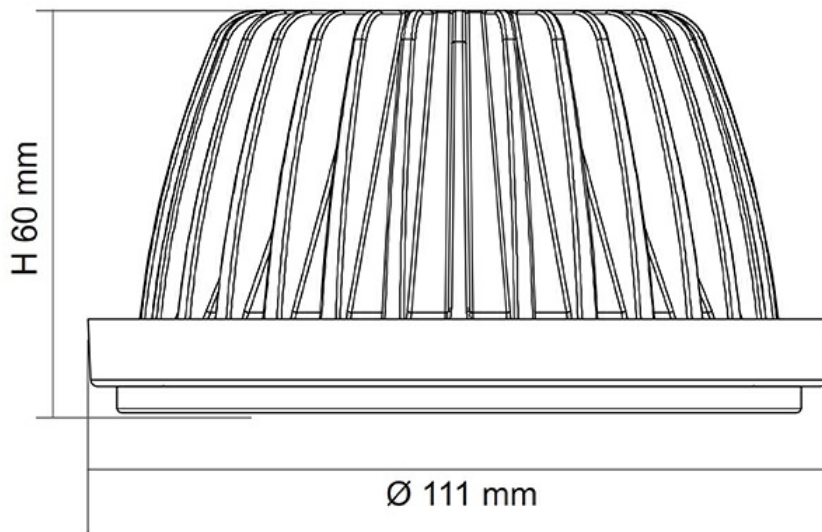
Model No.	Description	Power (W)	Lumens (lm)	CCT (K)	CRI	Beam Angle (°)
AR111/1700WW LED	LED AR111 LAMP 17W 3K 24 DEG. 500mA	20	1700	3000	80	24
AR111/1700CW LED	LED AR111 LAMP 17W 4K 24 DEG. 500mA	20	1700	4000	80	24

Model No.	Dimmable	Dimensions (mm)	Base Type
AR111/1700WW LED	YES	60(H)	AR111
AR111/1700CW LED	YES	60(H)	AR111

Due to continued product and technology enhancements, data sourced from sal.net.au shall not form part of any contract and or technical performance guarantee unless expressly confirmed in writing by SAL at the time of order. Products are sold in accordance with [SAL Terms and Conditions of sale](#) and all images shown are for illustration purposes only and may vary from the actual colour or finish. Unless specifically stated, all IP ratings nominated for Interior products are from "below the ceiling".

Dimensions

AR111 1700





Photometric Data

Unit: cd C0/C180 _____
cd C60/C240 _____

AR111/1700WW LED at 3000K

