



# VECTOR-II 48" AC CEILING FAN

**Corrosion resistance  
with a modern design**

**50W**  
AC  
MOTOR

**ABS**  
BLADES

**48**  
INCH  
1220mm

**9939**  
m<sup>3</sup>/hr  
AIRFLOW

**15°**  
CEILING  
RAKE MAX

**6YR**  
WARRANTY

Wall control  
Included



Watch our demonstration video here

**Vector fans are made from rust and UV resistant ABS plastic giving you endless options of where you can place them around your home. A simple modern design will compliment any space whilst giving you a great airflow.**

- Patented\* Ezi-Fit blades reduce fan assembly and installation time
- Durable corrosion and UV resistant body and canopy construction with high strength moulded ABS blades
- 3 speed wall control with switch included
- Reversible All-Seasons technology for use all year round
- 85% pre-assembled out of the box for fast installation
- Powerful 50W AC motor
- 18W 1400lm Cool White (4000K) dimmable LED light kit (model with light only)
- Uses our Quick Connect Plug System to reduce installation time
- Suitable for indoor or enclosed alfresco areas
- Compatible with Brilliant remotes and BrilliantSmart fan controllers

## APPLICATIONS

- Bedrooms, lounge and family rooms
- Indoors or enclosed alfresco areas not exposed to the weather



PURE WHITE NO LIGHT



PURE WHITE WITH LIGHT



# VECTOR-II 48" AC CEILING FAN

## TECHNICAL SPECIFICATIONS

<b>Size</b>	48 inch (1220mm)
<b>Motor Type</b>	AC (Alternate Current)
<b>Operating Voltage</b>	240V / 50Hz
<b>Motor Wattage</b>	50W
<b>Construction</b>	ABS body and canopy
<b>Blade Material</b>	Moulded ABS (x4)
<b>Ceiling install</b>	Hangsure
<b>Blade Pitch</b>	14 degree (effective)
<b>Ceiling Rake</b>	15 degree max
<b>Control</b>	Wall 3 speed with on/off switch (included)
<b>Light Wattage:</b>	18W
<b>Lumens:</b>	1400lm (4000K)
<b>Dimmable:</b>	Yes
<b>Other models available</b>	21548/05: 52-inch no light 21549/05: 52-inch with light
<b>Warranty</b>	3 year in-home plus 3 year replacement (6-Year) <i>*Limited warranty for wall controller, remote controller and light. Refer to warranty card inside the box for more details.</i>
<b>Standards:</b>	AS/NZS 60335-1 AS/NZS 60335-2-80 AS/NZS 60598-1 AS/NZS 60598-2-1
<b>Patent:</b>	2018201157 (pending)

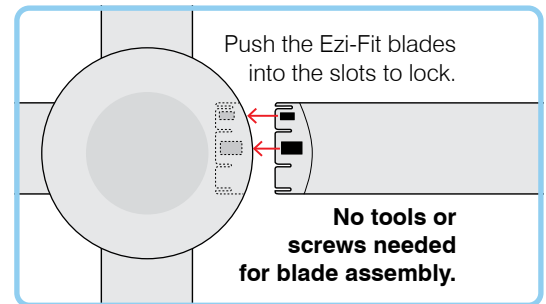
## INSTALLATION

Must be installed by a licensed electrician

## ACCESSORIES (sold separately)

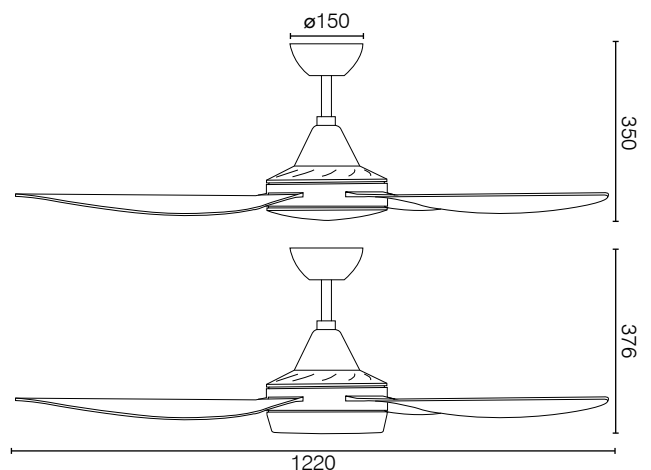
Extension Rod with loom kits, 900mm x Ø21mm:



Remote Kits 99222 LCD Display  
99111 Smart WiFi



## AIR MOVEMENT:

SPEED	LOW	MED	HIGH
RPM	114	161	224
Power	14W	25W	50W
Airflow	4,645m <sup>3</sup> /h	6,776m <sup>3</sup> /h	9,939m <sup>3</sup> /h



	MODEL	COLOUR	DESCRIPTION	BOX SIZE	GROSS WEIGHT	BOX QTY	BARCODE/TUN
<b>RETAIL BOX</b>	21546/05	Pure White	Vector-II 48 AC Fan	W591 x H318 x D288 mm	6.5 kg	1 pc	 9 312641 215462 >
<b>RETAIL BOX</b>	21547/05	Pure White	Vector-II 48 AC Fan & Light	W591 x H318 x D288 mm	6.7 kg	1 pc	 9 312641 215479 >