

UNDER CABINET POWER STATION WITH LED LIGHT 20229/11

Congratulations on the purchase of your new Brilliant Under Cabinet Power Station. Before first using, it is most important that you read and follow the instructions on this document, even if you feel you are quite familiar with this type of product. Find a safe place and keep this document handy for future reference.

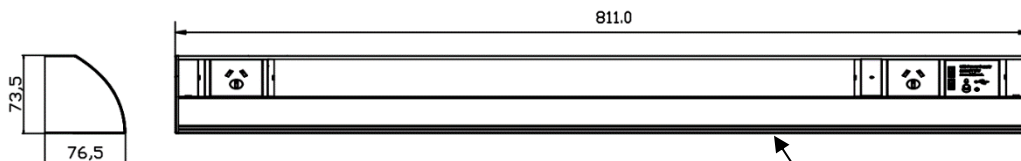
IMPORTANT SAFEGUARDS:

- This product is not intended to be mounted in floors.
- Any unauthorised modification might impair the product safety and will void Brilliant Warranty.
- If the external flexible cable or cord of this luminaire is damaged, it shall be exclusively replaced by the manufacturer or his service agent or a similar qualified person in order to avoid a hazard. .
- Do not use in areas where the product can get wet.

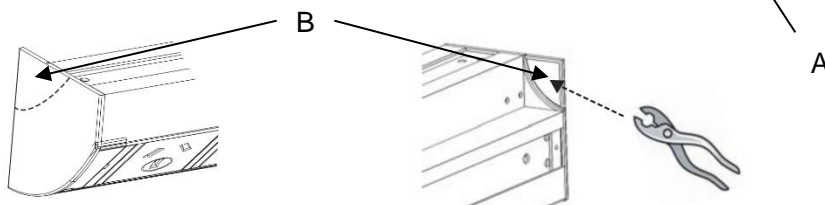
INSTALLATION:

1. Find a suitable location for power station 'A', e.g.: under cabinet, on the wall or on a desk.
2. Decide which side the flex and plug needs to exit from the back of power station. Use a plier to remove the corner piece 'B' on end cap of that side to feed cable through.
3. Remove screw hole covers 'C' at both ends of power station by inserting a flat head screw driver into the slot on the cover and prying open.
4. Use screws and suitable fixture system to secure the power station 'A' either to the wall or to the bottom of bench. Use top or bottom holes of power station 'A' depends on its mounting position. Use two screws on each side of power station 'A' (4pcs screws in total) to secure it.
5. Refit screw hole covers 'C'.
6. Insert the plug into a wall socket or surface mount socket. Turn on the power. The power board is ready for use.

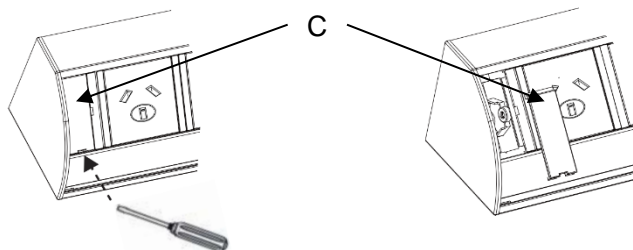
Steps 1



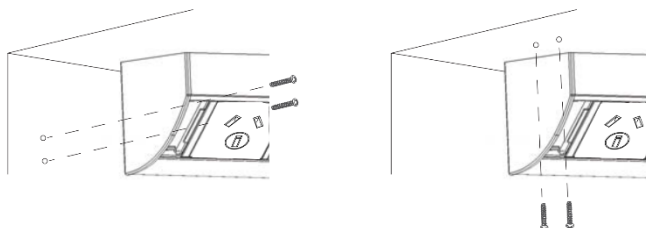
Steps 2



Steps 3



Steps 4

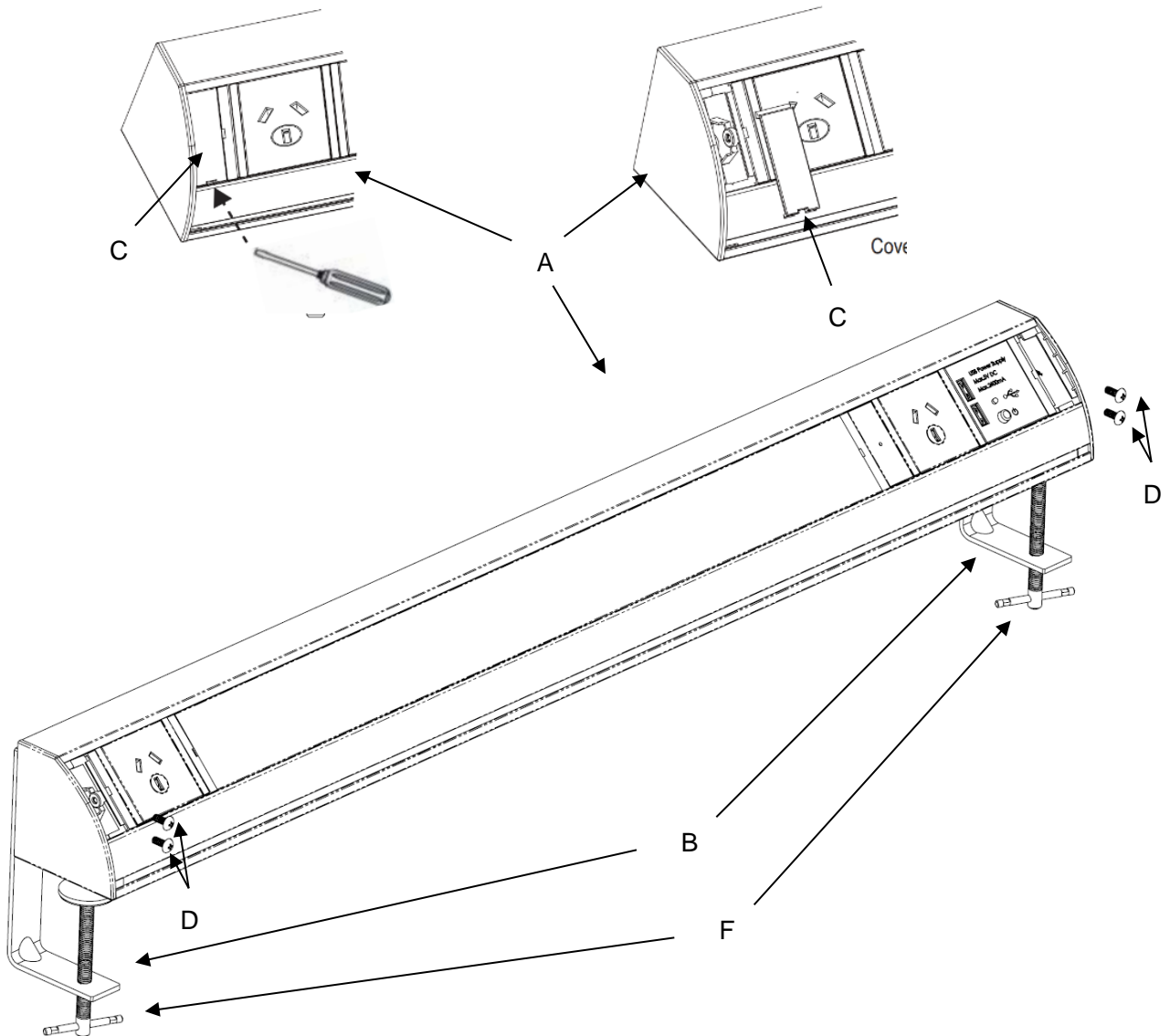


UNDER CABINET POWER STATION WITH LED LIGHT 20229/11

OPTIONAL TABLE CLAMP (20236/06) FOR POWER STATIONS (not included, need to purchase separately)

INSTALLATION:

1. Find a suitable location for power station 'A' and table clamp 'B', e.g.: on the edge of a desk or bench. The mounting surface thickness should be between 10 and 55 mm.
2. Remove screw hole covers 'C' at both ends of power station by inserting a flat head screw driver into the slot on the cover and prying open.
3. Use four screws 'D' to secure the power station 'A' to table clamp use holes on each side of power station 'A'.
4. Refit screw hole covers 'C'.
5. Turn the handle 'F' to lock the clamp mechanism 'B' until it can not be turned.
6. Insert the plug into a wall socket or surface mount socket. Turn on the power. The power board is ready for use.



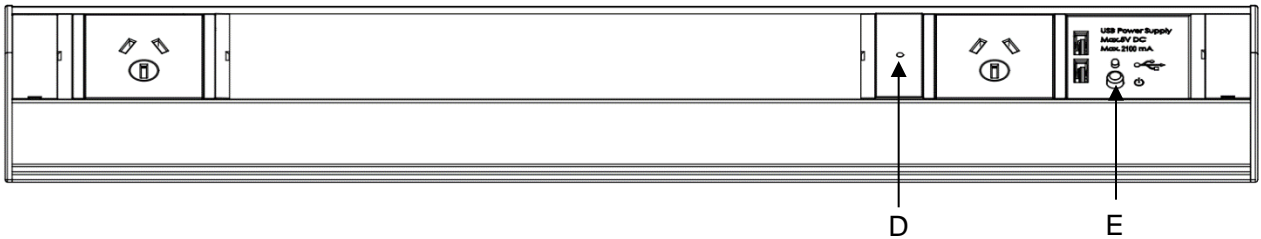
UNDER CABINET POWER STATION WITH LED LIGHT

20229/11

Operation:

The UNDER CABINET POWER STATION is equipped with a built-in 9W dimmable LED light.
Switch ON/OFF LED light – Quickly press dimmable switch 'D' once.
Dim LED light – Press and hold dimmable switch 'D'.

The UNDER CABINET POWER STATION is also equipped with USB ports.
Switch ON/OFF USB ports – press ON/OFF button 'E'.



SOCKET OUTLET SPECIFICATIONS:

Max Total Load: 2400W, 10A.
Socket Outlets: 2
Protection: Class I. Must be earthed.
Voltage: 230-240V~ 50Hz

LED LIGHT SPECIFICATIONS

LED: 9W MAX 400lm Warm White
Voltage: 230/240VAC 50Hz

USB SPECIFICATIONS:

Max Total Output Current: 2400mA
Output Voltage: 5V DC
USB Outlets: 2
LED Indicator and Individual on switch

Indoor Use Only

Warranty:

Brilliant Lighting warrants this product against defects in manufacture and workmanship for a period of 2 years from date of purchase. This warranty is only valid for products installed by a qualified electrical contractor and operated within the guidelines specified by Brilliant Lighting, and within the correct operating voltage ranges as stated on the product's rating label.

Warranty does not include damage or loss arising from incorrect installation, operation or maintenance of this product, damage caused through modification, incorrect installation, service by unqualified or unauthorised personnel or lack of regular maintenance and cleaning. Proof of installation by qualified personnel may be required, eg. Electrical Safety Certificate. Proof of purchase must be supplied with all warranty claims.

This warranty is provided in addition to any other rights and remedies of the customer under any law. In applications not intended for household, personal or domestic use, liability is limited to replacement or reimbursement of product only. Brilliant Lighting does not warranty the costs of removal or re-installation of this product or associated components.

Our goods come with guarantees that cannot be excluded under the Australian Consumer Law. You are entitled to a replacement or refund for a major failure and compensation for any other reasonably foreseeable loss or damage. You are also entitled to have the goods repaired or replaced if goods fail to be of acceptable quality and the failure does not amount to a major failure.

Any claim under this warranty must be made within 2 year of the date of purchase of the product. To make a claim under the warranty; at your own expense take the product (with proof of purchase – receipt or similar) to the store where you purchased the product or contact Brilliant Lighting at the address below.

This warranty is given by:

Brilliant Lighting (Aust) Pty. Ltd.

ABN 37 006 203 694

956 Stud Road Rowville, VIC 3178

Phone: 03 9765 2555

Email: info@brilliantlighting.com.au

MADE IN CHINA