



## HALO SPL3000 - 18/35W

Dimmable architectural LED pendant luminaire

### Application

A creative design for residential or commercial spaces

### Design Specifications

- Slim disc like appearance, standard trim colour black, optional silver
- Durable polycarbonate body profile with opal acrylic diffuser
- High efficiency SMD LED chips, 18 or 35 watt models
- Integral constant current trailing edge dimmable LED driver
- Suspension kits provided (standard length 1.5 m and adjustable)
- CCT 4000K standard, optional 3000K or 5700K



### Performance

Dimmable - **YES**

Dimmer Type - **Trailing edge**

### Technical Specification

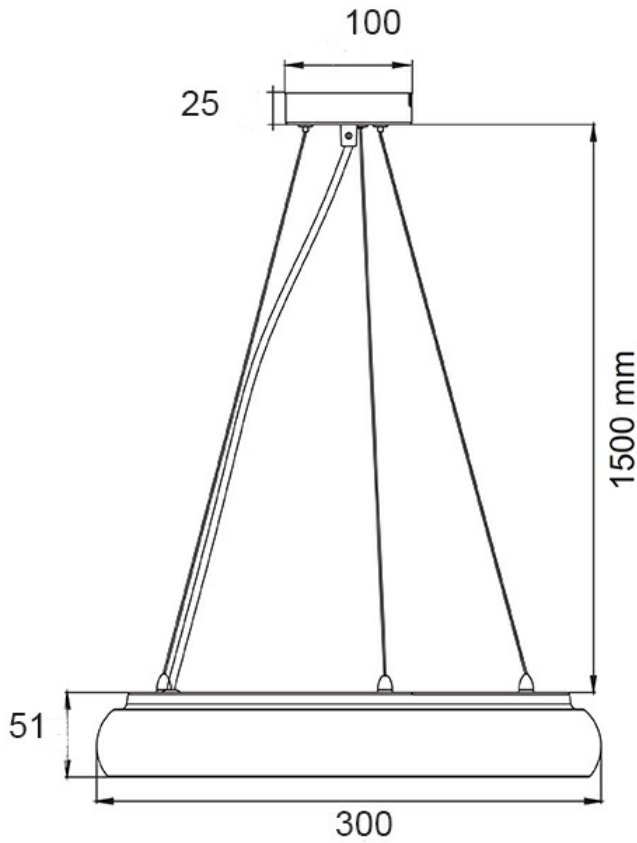
Model No.	Description	Input Voltage (V/AC)	Power (W)	Lumens (lm)	CCT (K)	CRI
SPL3000/30CW	LED PENDANT 18W 300mm 4K BK	240	18	1450	4000	80
SPL3000/40CW	LED PENDANT 35W 400mm 4K BK	240	35	3300	4000	80

Model No.	Dimensions (mm)	Body Colour
SPL3000/30CW	300(W) x 51(H)	BLACK
SPL3000/40CW	400(W) x 68(H)	BLACK

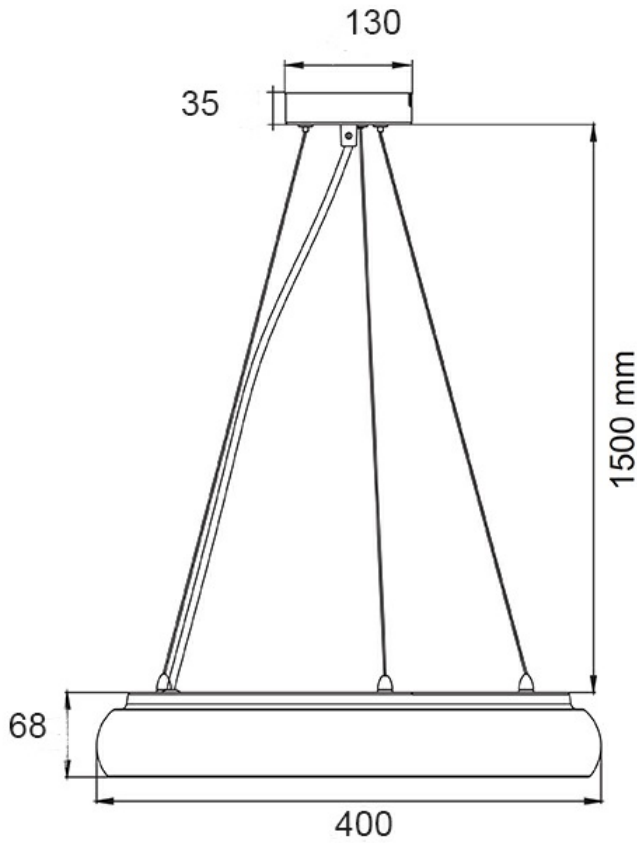
Due to continued product and technology enhancements, data sourced from sal.net.au shall not form part of any contract and or technical performance guarantee unless expressly confirmed in writing by SAL at the time of order. Products are sold in accordance with [SAL Terms and Conditions of sale](#) and all images shown are for illustration purposes only and may vary from the actual colour or finish. Unless specifically stated, all IP ratings nominated for Interior products are from "below the ceiling".

### Dimensions

SPL3000/30



SPL3000/40

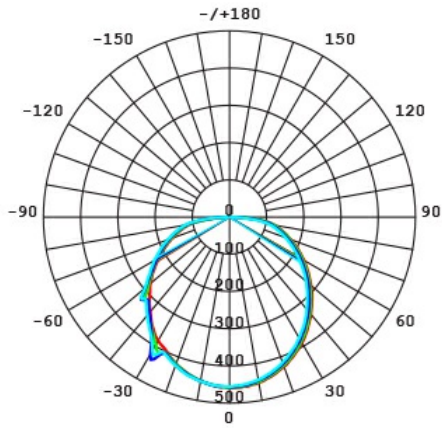




**Photometric Data**

Unit: cd C0/C180 — C30/C210 —  
 cd C60/C240 — C90/C270 —

**SPL3000/30CW at 4000K**



**SPL3000/40CW at 4000K**

