



FLEXI FLL2406/SS10-6W/M

20 metre length CRI>80, 24V low voltage LED strip IP65

Application

An creative solution for residential and commercial interior and exterior spaces

Design Specifications

- High efficiency SMD LED chips with 3M self-adhesive tape, 6 watt p/m, 550lm/m
- Roll and run length 20m, cuttable every 100 mm at scissors symbol ✂
- Connection length can be extended with approved LED drivers, controllers and repeaters
- Dimmable with compatible controller or dimmable constant voltage LED driver. Dimming options -
Type A - trailing edge dimmer
Type B - LED Controller: LT8903DIM , LT8905DIM and LT8904DIM/RP
Type C - 1-10V analogue
- Heat sink and 24V constant voltage LED driver required
- LED channel options: SLT1000, SLT3000, SLT3010, SLT3020, SLT3030, SLT3040, SLT3050, SLT4050, SLT5000, Quick connect kit FLC10CS Twin 400 mm fly lead to connect 10 mm strip (pack of 10)
- SAL heatsink recommended (FLL2406/SS10)



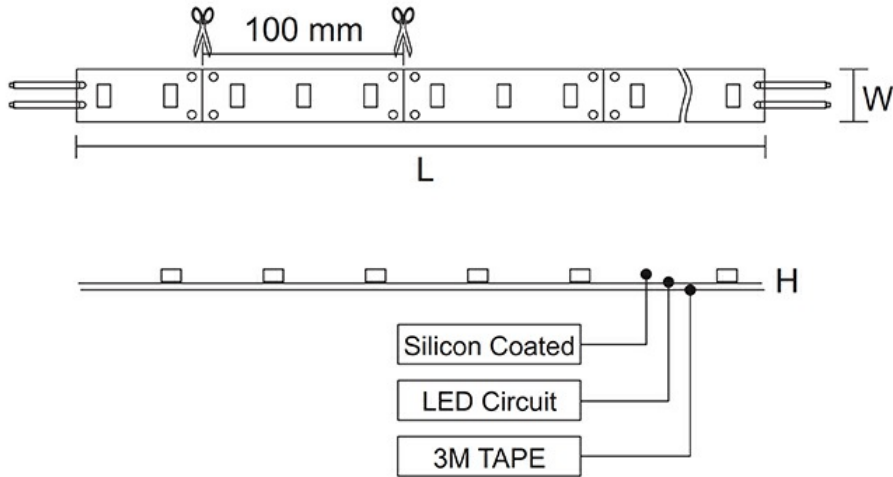
Technical Specification

Model No.	Description	Input Voltage (V/DC)	Watts per metre (W/m)	Beam Angle (°)	Body Colour	CRI
FLL2406WW/SS10	LED STRIP 24V 6W/m IP65 3K	24	6	115	CLEAR	80
FLL2406CW/SS10	LED STRIP 24V 6W/m IP65 4K	24	6	115	CLEAR	80
FLL2406DL/SS10	LED STRIP 24V 6W/m IP65 6K	24	6	115	CLEAR	80

Model No.	Dimensions (mm)	Colour Temperature (K)
FLL2406WW/SS10	20000(L) x 10(W) x 1.6(H)	3000
FLL2406CW/SS10	20000(L) x 10(W) x 1.6(H)	4000
FLL2406DL/SS10	20000(L) x 10(W) x 1.6(H)	6000

Due to continued product and technology enhancements, data sourced from sal.net.au shall not form part of any contract and or technical performance guarantee unless expressly confirmed in writing by SAL at the time of order. Products are sold in accordance with [SAL Terms and Conditions of sale](#) and all images shown are for illustration purposes only and may vary from the actual colour or finish. Unless specifically stated, all IP ratings nominated for Interior products are from "below the ceiling".

Dimensions



Product Images

