



## FANCY ROUND CLEAR DIM LFR - 4W

4 watt dimmable LED filament fancy round clear style lamps

### Application

Energy efficient LED lamp solutions

### Design Specifications

- Clear glass diffuser, B15, B22, E14, E27 bases
- High efficiency LED filament and colour rendering >80
- Integral trailing edge dimmable LED driver
- 320° beam angle
- Colour temperature 2700K / 5000K
- 1:1 size to traditional fancy round lamp, dimmable, suits most fancy round lamp fittings, double insulation

### Performance

Dimmable - **YES**

Dimmer Type - **Trailing edge**



### Technical Specification



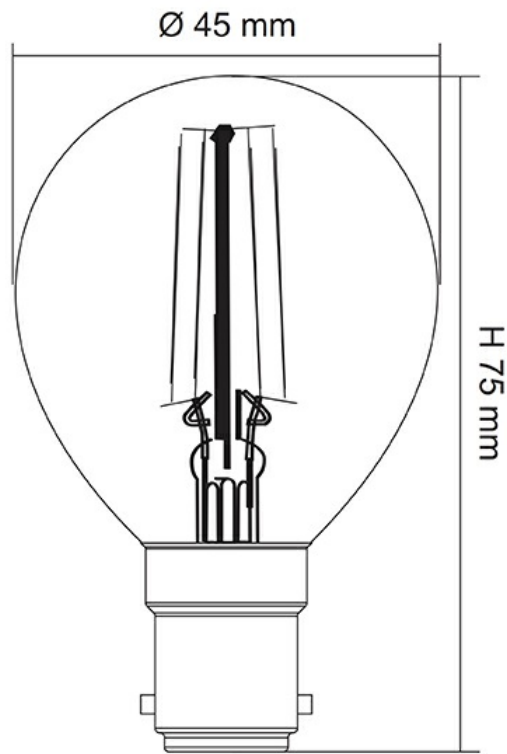
Model No.	Description	Input Voltage (V/AC)	Power (W)	Lumens (lm)	CCT (K)	CRI
LFR27B15D/C	LED FR LAMP 4W B15 WW CLR DIM	240	4	450	2700	80
LFR27B22D/C	LED FR LAMP 4W B22 WW CLR DIM	240	4	450	2700	80
LFR27E14D/C	LED FR LAMP 4W E14 WW CLR DIM	240	4	450	2700	80
LFR27E27D/C	LED FR LAMP 4W E27 WW CLR DIM	240	4	450	2700	80
LFR50B15D/C	LED FR LAMP 4W B15 DL CLR DIM	240	4	450	5000	80
LFR50B22D/C	LED FR LAMP 4W B22 DL CLR DIM	240	4	450	5000	80
LFR50E14D/C	LED FR LAMP 4W E14 DL CLR DIM	240	4	450	5000	80
LFR50E27D/C	LED FR LAMP 4W E27 DL CLR DIM	240	4	450	5000	80

Model No.	Beam Angle (°)	Dimmable	Dimensions (mm)	Base Type
LFR27B15D/C	320	YES	75(L) x 45(W)	B15
LFR27B22D/C	320	YES	71(L) x 45(W)	B22
LFR27E14D/C	320	YES	77(L) x 45(W)	E14
LFR27E27D/C	320	YES	73(L) x 45(W)	E27
LFR50B15D/C	320	YES	75(L) x 45(W)	B15
LFR50B22D/C	320	YES	71(L) x 45(W)	B22
LFR50E14D/C	320	YES	77(L) x 45(W)	E14
LFR50E27D/C	320	YES	73(L) x 45(W)	B27

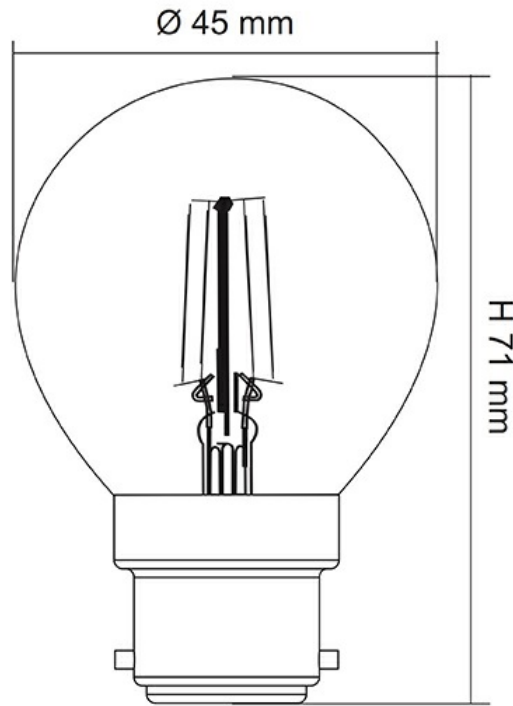
Due to continued product and technology enhancements, data sourced from sal.net.au shall not form part of any contract and or technical performance guarantee unless expressly confirmed in writing by SAL at the time of order. Products are sold in accordance with [SAL Terms and Conditions of sale](#) and all images shown are for illustration purposes only and may vary from the actual colour or finish. Unless specifically stated, all IP ratings nominated for Interior products are from "below the ceiling".

## Dimensions

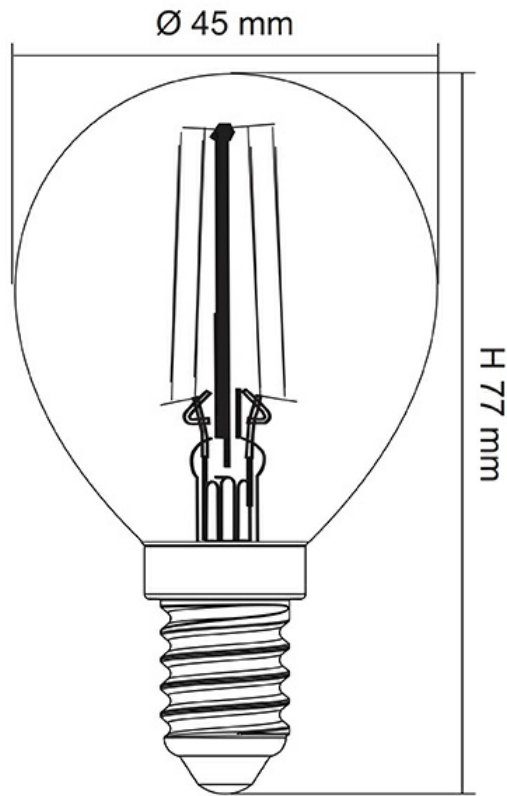
LFR B15



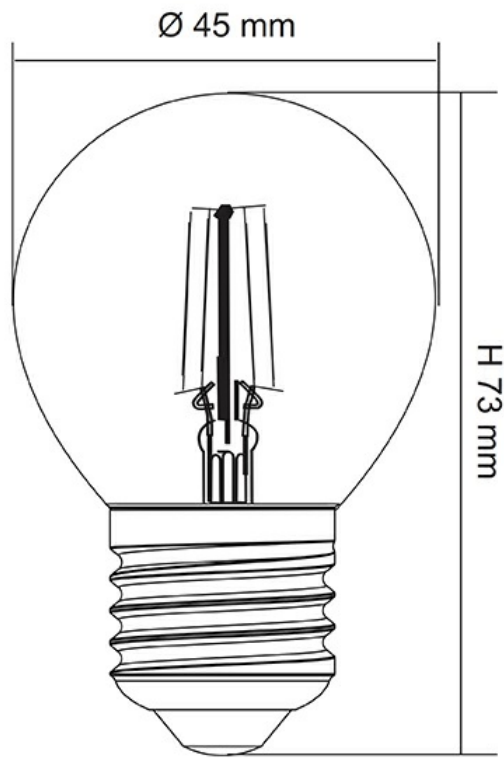
LFR B22



LFR E14



LFR E27



## Product Images

