



EXMOUTH S9523TC - 28/40W

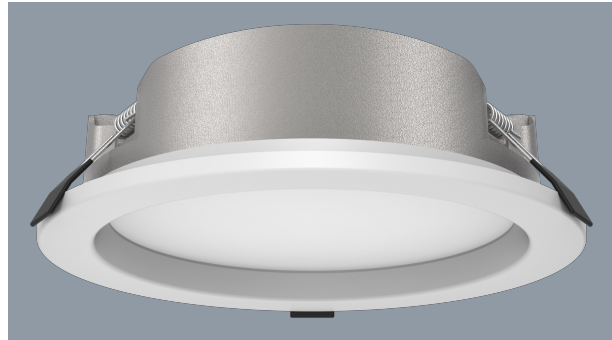
Recessed 40/28 watt circular LED Shop light with selectable colour temperature and power

Application

Ideal for any residential or commercial interior space

Design Specifications

- Easy selectable colour temperature with an inbuilt DIP switch
- Twin 40W / 28W power selection with the integral DIP switch, IC - 4 rated
- Durable die-cast aluminium body profile, with white or silver trim
- Constant current non-dimmable LED driver, with flex and plug
- Stylish powder coat finish with an opal polycarbonate diffuser
- High efficiency SMD LED chips



Performance

Dimmable - **OPTIONAL**

Dimmer Type - **Trailing edge, 1-10V, DALI / DSI**

Technical Specification

Model No.	Description	Input Voltage (V/AC)	Multiple Wattage	Lumens (lm)	CCT (K)	Beam Angle (°)
S9523TC WH	LED D/L 40W 225mm 3/4/6K WHITE	240	28/40	2800/3800	3000/4000/5500	105
S9523TC SL	LED D/L 40W 225mm 3/4/6K SL.	240	28/40	2800/3800	3000/4000/5500	105

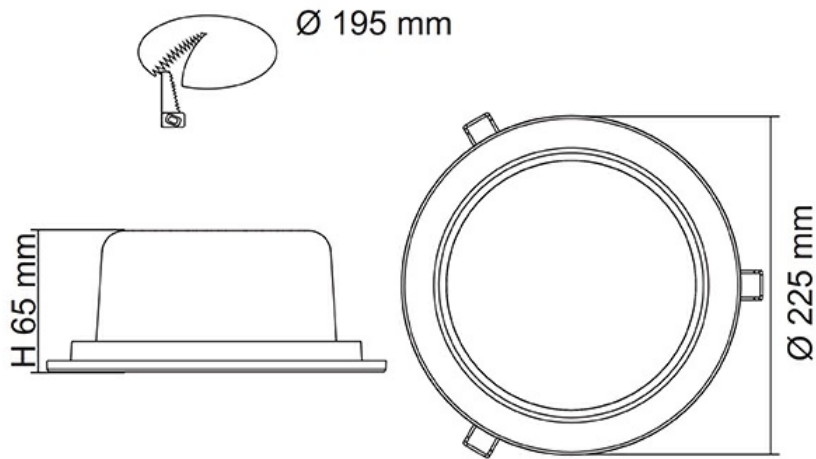
Model No.	Dimmable	CRI	Body Colour	Dimensions (mm)
S9523TC WH	OPTIONAL	80	WHITE	225(W) x 65(H)
S9523TC SL	OPTIONAL	80	SILVER	225(W) x 65(H)

Due to continued product and technology enhancements, data sourced from sal.net.au shall not form part of any contract and or technical performance guarantee unless expressly confirmed in writing by SAL at the time of order. Products are sold in accordance with [SAL Terms and Conditions of sale](#) and all images shown are for illustration purposes only and may vary from the actual colour or finish. Unless specifically stated, all IP ratings nominated for Interior products are from "below the ceiling".



Dimensions

S9523TC





Photometric Data

Unit: cd C0/C180 _____ C90/C270 _____

S9523TC at 3000K

