



## EXMOUTH S9522TC - 15/22W

Recessed 15/22 watt circular LED Shop light with selectable colour temperature and wattage

### Application

Ideal for any retail or commercial interior spaces

### Design Specifications

- Easy selectable colour temperature with an inbuilt DIP switch
- Twin 15/22W power selection with the integral DIP switch, IC-4 rated
- Durable die-cast aluminium body profile, with white or silver trim
- Constant current non-dimmable LED driver, with flex and plug
- Stylish powder coat finish with an opal polycarbonate diffuser
- High efficiency SMD LED chips



### Performance

Dimmable - **OPTIONAL**  
Dimmer Type - **Trailing edge, 1-10V, DALI / DSI**

### Technical Specification

Model No.	Description	Input Voltage (V/AC)	Multiple Wattage	Lumens (lm)	CCT (K)	Beam Angle (°)
S9522TC WH	LED D/L 22W 184mm 3/4/6K WHITE	240	15/22	1500/2100	3000/4000/5500	100
S9522TC SL	LED D/L 22W 184mm 3/4/6K SL.	240	15/22	1500/2100	3000/4000/5500	100

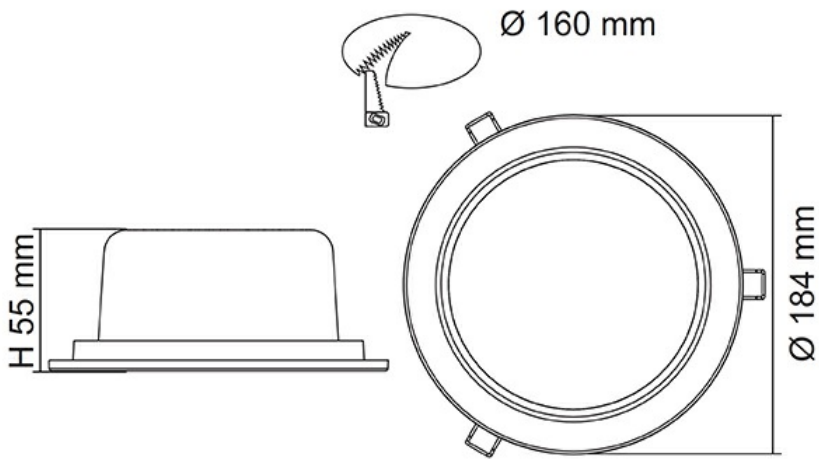
Model No.	Dimmable	CRI	Body Colour	Dimensions (mm)
S9522TC WH	OPTIONAL	80	WHITE	184(W) x 55(H)
S9522TC SL	OPTIONAL	80	SILVER	184(W) x 55(H)

Due to continued product and technology enhancements, data sourced from sal.net.au shall not form part of any contract and or technical performance guarantee unless expressly confirmed in writing by SAL at the time of order. Products are sold in accordance with [SAL Terms and Conditions of sale](#) and all images shown are for illustration purposes only and may vary from the actual colour or finish. Unless specifically stated, all IP ratings nominated for Interior products are from "below the ceiling".



## Dimensions

S9522TC





## Photometric Data

Unit: cd C0/C180 \_\_\_\_\_ C90/C270 \_\_\_\_\_

### S9522TC at 3000K

