



## EMERGENCY EXIT SELK1500EX3BK - 2.8W

SELK1500EX3BK Emergency Exit - Theatre Black

### Application

A perfect choice for the Theatre or Cinema

### Design Specifications

- Compliant to AS/NZS 2293, emergency lighting with a viewing distance of 24 metres
- Polycarbonate body profile, IP20, integral 2.8 watt emergency control gear with long life Lithium battery technology
- Multi-directional decals included
- Versatile design to allow ceiling or wall mount installation, with quick connect removable decal housing.
- Guaranteed 90 minutes emergency function.
- Optional recessed mounting module available





### Performance

- Dimmable - **NO**



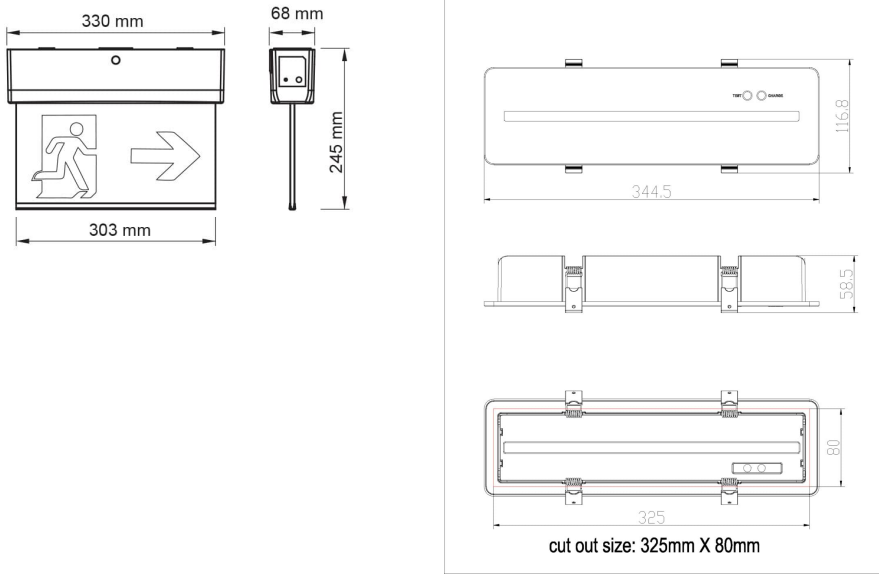
### Technical Specification

Product	Model No.	Input Voltage (V/AC)	Power (W)	Body Colour	Dim (mm)
	<b>SELK1500EX3BK</b>	240	2.8	BLACK	310(L) x 62(W) x 213(H)
	<b>SELK1500EX3RCP/BK</b>			BLACK	345(L) x 117(W) x 58(H)

Important notes: (1) Battery warranty twelve (12) months (2) In the interest of transport and safety, emergency products are supplied with the battery disconnected. (3) In addition to specific emergency commissioning instructions, the battery **MUST** be connected at the time of installation. (4) Continual use in emergency mode greater than 240 hours without recharge, will result in battery failure and void battery warranty.

Due to continued product and technology enhancements, data sourced from sal.net.au shall not form part of any contract and or technical performance guarantee unless expressly confirmed in writing by SAL at the time of order. Products are sold in accordance with [SAL Terms and Conditions of sale](#) and all images shown are for illustration purposes only and may vary from the actual colour or finish. Unless specifically stated, all IP ratings nominated for Interior products are from "below the ceiling".

## Dimensions





Why is the IP rating important? In brief, IP (Ingress Protection) ratings are defined in EN 60529 and simply defines the ability of an electrical product to seal and protect against the intrusion of foreign objects and water.

(I) As the first numeral stands for intrusion of a foreign object, where (P) as the second numeral stands for the penetration of moisture.

As a guide IP20 rated products would be seen in interior spaces with no requirement for protection against the elements, where an IP65 product would be found in an exterior application which required substantial protection against the elements.

*Need more information on IP ratings? Check out the SAL web FAQ's or speak to your local SAL team member.*

**For more  
information  
please  
scan me**

