



## ECOSTAR S9048 - 12W

Dimmable 12 watt LED downlight

### Application

Ideal for any residential or commercial interior space

### Design Specifications

- Durable die-cast aluminium body profile
- Stylish powder coat or plated finish
- High output COB LED chip
- Multi-reflector system, standard beam distribution 55 degree
- Constant current trailing edge dimmable LED driver with flex and plug
- IC - 4 classification

### Performance

Dimmable - **YES**

Dimmer Type - **Trailing edge, optional 1-10V, DALI / DSI**



### Technical Specification

Model No.	Description	Input Voltage (V/AC)	Power (W)	Lumens (lm)	CCT (K)	Beam Angle (°)
S9048 WW WH	LED D/L 12W IP44 3K WH	240	12	750	3000	55
S9048 DL WH	LED D/L 12W IP44 5K WH	240	12	800	5000	55
S9048 WW SN	LED D/L 12W IP44 3K SN	240	12	750	3000	55
S9048 DL SN	LED D/L 12W IP44 5K SN	240	12	800	5000	55

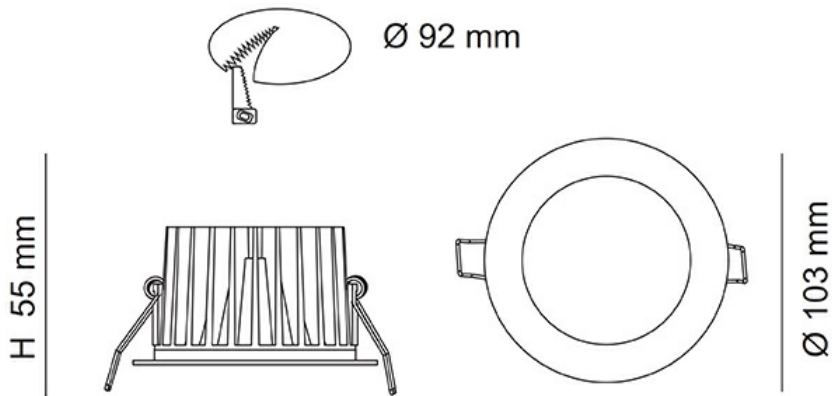
Model No.	Dimmable	CRI	Body Colour	Dimensions (mm)
S9048 WW WH	YES	80	WHITE	103(W) x 55(H)
S9048 DL WH	YES	80	WHITE	103(W) x 55(H)
S9048 WW SN	YES	80	SATIN NICKEL	103(W) x 55(H)
S9048 DL SN	YES	80	SATIN NICKEL	103(W) x 55(H)

Due to continued product and technology enhancements, data sourced from sal.net.au shall not form part of any contract and or technical performance guarantee unless expressly confirmed in writing by SAL at the time of order. Products are sold in accordance with [SAL Terms and Conditions of sale](#) and all images shown are for illustration purposes only and may vary from the actual colour or finish. Unless specifically stated, all IP ratings nominated for Interior products are from "below the ceiling".



## Dimensions

S9048





## Photometric Data

Unit: cd C0/C180 \_\_\_\_\_ C90/C270 \_\_\_\_\_

### S9048 WW at 3000K

