



ECOSTAR S9045 - 9W

Dimmable 9 watt LED downlight

Application

Ideal for any residential or commercial interior spaces

Design Specifications

- Durable die-cast aluminium body profile
- Stylish powder coat finish, white or plated satin nickel finish
- High output COB LED chip
- Changeable multi-reflector system, standard 60 degree, optional 40 degree
- Remote constant current trailing edge dimmable LED driver, with flex and plug
- IC - 4 classification

Performance

Dimmable - **YES**

Dimmer Type - **Trailing edge, optional 1-10V, DALI / DSI**



Technical Specification

Model No.	Description	Input Voltage (V/AC)	Power (W)	Lumens (lm)	CCT (K)	Beam Angle (°)
S9045 WW WH	LED DOWNLIGHT FIXED 9W 3K WH	240	9	700	3000	60
S9045 DL WH	LED DOWNLIGHT FIXED 9W 6K WH	240	9	800	6000	60
S9045 WW SN	LED DOWNLIGHT GIMBAL 9W 3K SN	240	9	700	3000	60
S9045 DL SN	LED DOWNLIGHT GIMBAL 9W 6K SN	240	9	800	6000	60

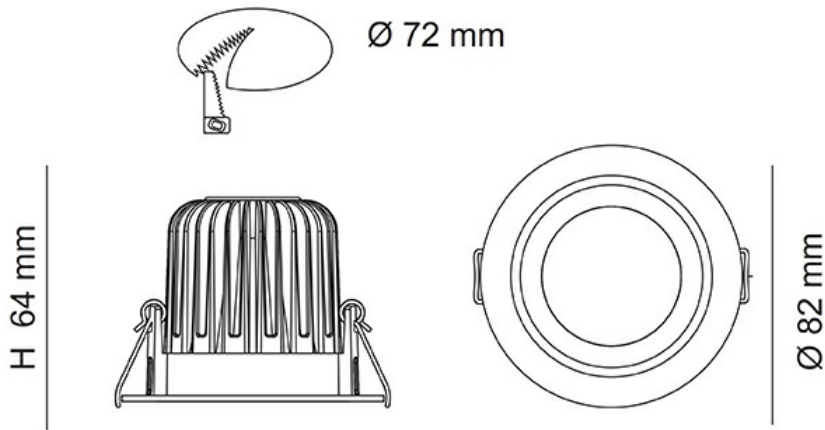
Model No.	Dimmable	CRI	Body Colour	Dimensions (mm)
S9045 WW WH	YES	80	WHITE	82(W) x 64(H)
S9045 DL WH	YES	80	WHITE	82(W) x 64(H)
S9045 WW SN	YES	80	SATIN NICKEL	82(W) x 64(H)
S9045 DL SN	YES	80	SATIN NICKEL	82(W) x 64(H)



Due to continued product and technology enhancements, data sourced from sal.net.au shall not form part of any contract and or technical performance guarantee unless expressly confirmed in writing by SAL at the time of order. Products are sold in accordance with [SAL Terms and Conditions of sale](#) and all images shown are for illustration purposes only and may vary from the actual colour or finish. Unless specifically stated, all IP ratings nominated for Interior products are from "below the ceiling".

Dimensions

S9045

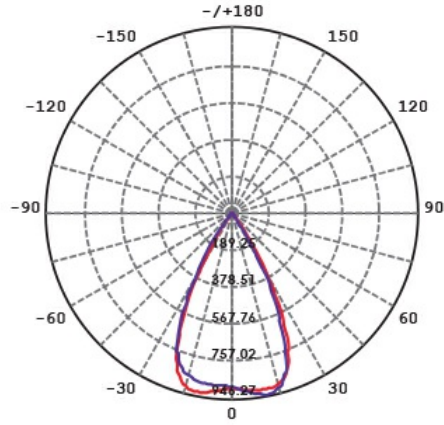




Photometric Data

Unit: cd C0/C180 _____ C90/C270 _____

S9045 WW at 3000K



Product Images

