



## DICE II S9016 - 8W

Surface mount square, dimmable LED downlight, CRI>90

### Application

Ideal for any residential foyers, features or commercial interior spaces

### Design Specifications

- Surface mounted architectural square profile downlight
- Centre tilt at each head, 30 degrees
- Durable die-cast aluminium body profile, black finish as standard (optional) white finish available
- High output (CRI>90) COB LED chip, polycarbonate optical lens, integral constant current trailing edge dimmable LED driver
- Changeable multi-reflector system



### Performance

Dimmable - **YES**

Dimmer Type - **Trailing edge**

### Technical Specification

| Model No.  | Description                  | Input Voltage (V/AC) | Power (W) | Lumens (lm) | CCT (K) | Beam Angle (°) |
|------------|------------------------------|----------------------|-----------|-------------|---------|----------------|
| S9016WW/BK | LED D/LIGHT 8W SQ.SUR. 3K BK | 240                  | 8         | 620         | 3000    | 60             |

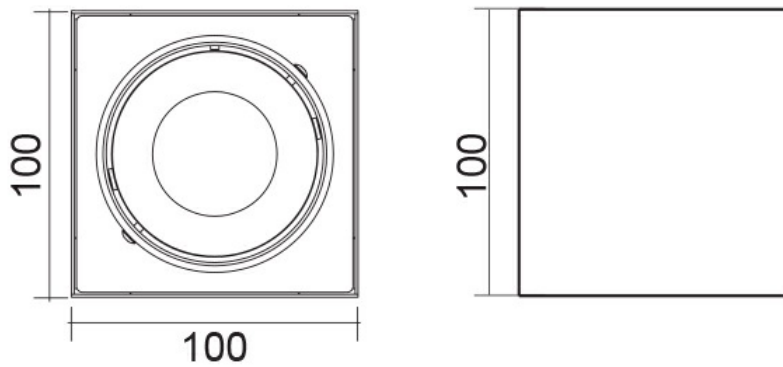
| Model No.  | Dimmable | CRI | Body Colour | Dimensions (mm)          |
|------------|----------|-----|-------------|--------------------------|
| S9016WW/BK | YES      | 90  | BLACK       | 100(L) x 100(W) x 100(H) |

Due to continued product and technology enhancements, data sourced from sal.net.au shall not form part of any contract and or technical performance guarantee unless expressly confirmed in writing by SAL at the time of order. Products are sold in accordance with [SAL Terms and Conditions of sale](#) and all images shown are for illustration purposes only and may vary from the actual colour or finish. Unless specifically stated, all IP ratings nominated for Interior products are from "below the ceiling".

## Dimensions



## Dimensions





## Photometric Data

Unit: cd C0/C180 \_\_\_\_\_ C90/C270 \_\_\_\_\_

### S9016WW/BK at 3000K

