



## DARHAM SQUARE S9316 - 1.5W

LED 1.5 watt recessed square wall luminaire

### Application

Ideal for any residential stairs, walkways or commercial interior space.

### Design Specifications

- Durable die-cast aluminium body profile
- Quality white powder coat finish or anodized silver
- High efficiency SMD LED chips
- Opal acrylic diffuser with glass cover
- Suitable drivers - PLUTO EGL12V/6W, PLUTO15DV, 30DV, 50DV
- 12V AC or DC non-dimmable driver required, Optional accessories, pre-install box S9316 only, (L x W X H: 218 x 133 x 74mm)



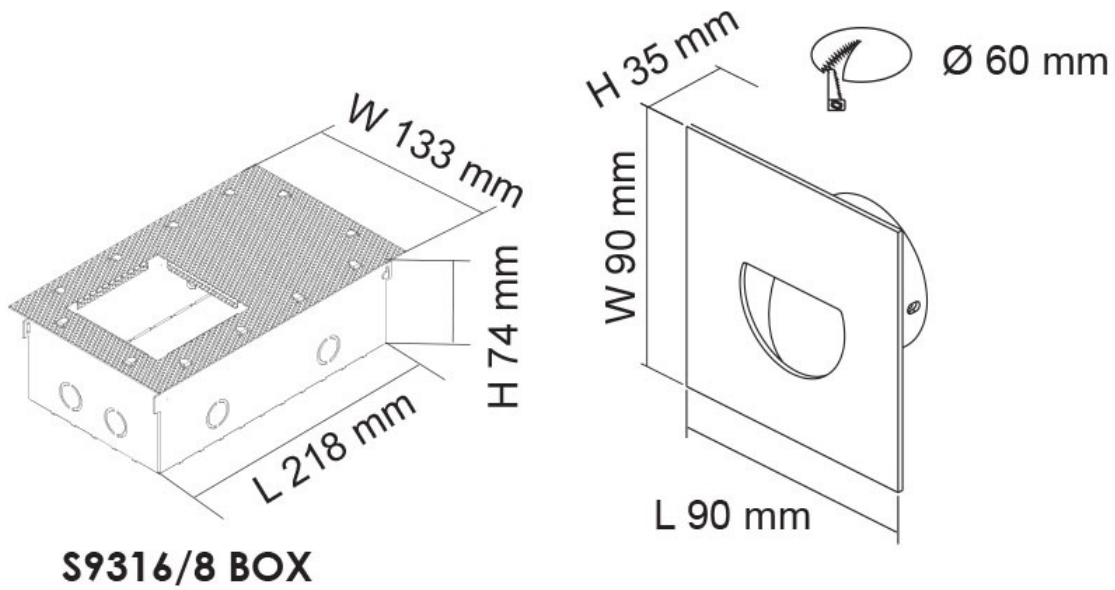
### Technical Specification

Model No.	Description	Input Voltage (V/AC)	Input Voltage (V/DC)	Power (W)	Lumens (lm)	CCT (K)
S9316 WH	LED W/L 12V 1.5W 3000K	12	12	1.5	110	3000
S9316 ALU	LED W/L 12V 1.5W 3000K	12	12	1.5	110	3000

Model No.	CRI	Dimmable	Dimensions (mm)	Body Colour
S9316 WH	80	NO	90(L) x 90(W) x 35(H)	White
S9316 ALU	80	NO	90(L) x 90(W) x 35(H)	Anodised Silver

Due to continued product and technology enhancements, data sourced from sal.net.au shall not form part of any contract and or technical performance guarantee unless expressly confirmed in writing by SAL at the time of order. Products are sold in accordance with [SAL Terms and Conditions of sale](#) and all images shown are for illustration purposes only and may vary from the actual colour or finish. Unless specifically stated, all IP ratings nominated for Interior products are from "below the ceiling".

## Dimensions



## Photometric Data

Unit: cd C0/C180 \_\_\_\_\_ C90/C270 \_\_\_\_\_

### S9316 at 3000K

