



## DARHAM ROUND S9317 - 1.5W

LED 1.5 watt recessed round profile wall luminaire

### Application

Ideal for any residential stairs, walkways or commercial interior space

### Design Specifications

- Durable die-cast aluminium body profile
- Quality white powder coat finish or anodized silver
- High efficiency SMD LED chips
- Opal acrylic diffuser with glass cover
- Suitable drivers - PLUTO EGL12V/6W, PLUTO15DV, 30DV, 50DV
- 12V AC or DC non-dimmable driver required



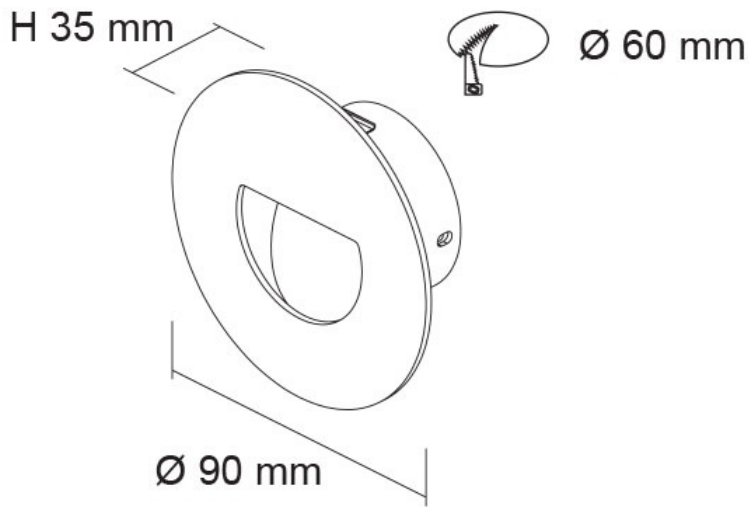
### Technical Specification

| Model No. | Description            | Input Voltage (V/AC) | Input Voltage (V/DC) | Power (W) | Lumens (lm) | CCT (K) |
|-----------|------------------------|----------------------|----------------------|-----------|-------------|---------|
| S9317 WH  | LED W/L 12V 1.5W 3000K | 12                   | 12                   | 1.5       | 110         | 3000    |
| S9317 ALU | LED W/L 12V 1.5W 3000K | 12                   | 12                   | 1.5       | 110         | 3000    |

| Model No. | CRI | Dimmable | Dimensions (mm) | Body Colour     |
|-----------|-----|----------|-----------------|-----------------|
| S9317 WH  | 80  | NO       | 34(H)           | White           |
| S9317 ALU | 80  | NO       | 34(H)           | Anodized Silver |

Due to continued product and technology enhancements, data sourced from sal.net.au shall not form part of any contract and or technical performance guarantee unless expressly confirmed in writing by SAL at the time of order. Products are sold in accordance with [SAL Terms and Conditions of sale](#) and all images shown are for illustration purposes only and may vary from the actual colour or finish. Unless specifically stated, all IP ratings nominated for Interior products are from "below the ceiling".

## Dimensions



## Photometric Data

Unit: cd C0/C180 \_\_\_\_\_ C90/C270 \_\_\_\_\_

### S9317 at 3000K

