



COOPER SE7084TC/EM - 23W

MAINTAINED OR NON-MAINTAINED, 23 watt, LED decorative commercial bunker luminaire, wall or ceiling mount, IK10 rated with selectable CCT, IP65

Application

A decorative architectural solution for commercial exteriors

Design Specifications

- Robust die-cast aluminium body with a cross louvre frame, durable black or silver powder coat finish
- Stainless steel allen screws
- High efficiency LED optics with selectable CCT
- Integral non-dimmable LED driver
- UV stabilized opal polycarbonate diffuser
- Compliant to AS/NZS 2293 Emergency Lighting & Exit Signs, guaranteed minimum 90 minutes emergency mode function with LiFePO4 battery technology. Emergency spacing classification D25@C0





Performance

- Dimmable - **OPTIONAL**
- Dimmer Type - **TRAILING EDGE**
- In Built Sensor - **OPTIONAL**
- Sensor Type - **MICROWAVE**



Technical Specification

Product	Model No.	Input Voltage (V/AC)	Power (W)	CCT (K)	Lumens (lm)	Body Colour
	SE7084TC/EM/BK	240	23	3000/4000/5700	1400/1500/1500	BLACK
	SE7084TC/EM/SL	240	23	3000/4000/5700	1400/1500/1500	SILVER

Diameter (mm)	Dim (mm)
350	145(H)
350	145(H)

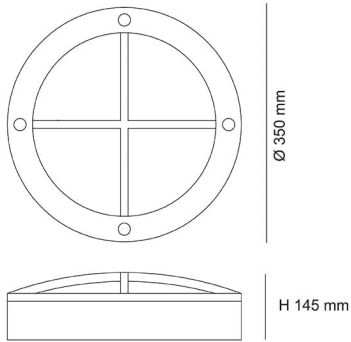
Important notes: (1) In the interest of transport and safety, emergency products are supplied with the battery disconnected. (2) In addition to specific emergency commissioning instructions, the battery **MUST** be connected at the time of installation. (3) Continual use in emergency mode greater than 240 hours without recharge, will result in battery failure and void battery warranty.

Due to continued product and technology enhancements, data sourced from sal.net.au shall not form part of any contract and or technical performance guarantee unless expressly confirmed in writing by SAL at the

time of order. Products are sold in accordance with [SAL Terms and Conditions of sale](#) and all images shown are for illustration purposes only and may vary from the actual colour or finish. Unless specifically stated, all IP ratings nominated for Interior products are from "below the ceiling".

Dimensions

SE7084TC

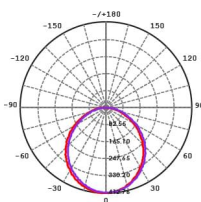


Photometric Data

Photometric Data (at maintained power)

Unit: cd C0/C180 — C90/C270 —

SE7084L/EM/WW at 3000K



At SAL we are always thinking about how we can enhance our customers lighting experience & strongly believe **OUR SUCCESS IS MEASURED BY OUR CUSTOMERS SUCCESS.**



For more
information
please
scan me

