



## COOPER III SE7192TC - 18W

Decorative 18 watt round profile IP65 architectural LED wall mount luminaire

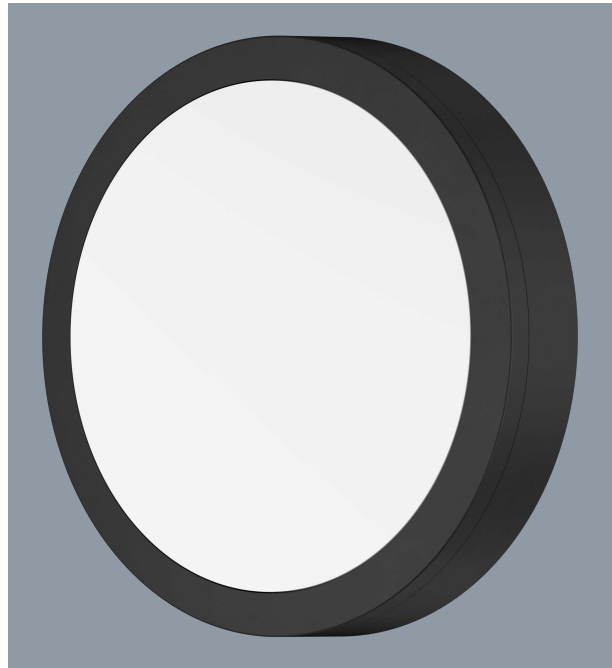
### Application

A decorative architectural solution for residential & commercial interior or exterior spaces

### Design Specifications

- Convenient TC selectable colour temperature, 3000K/4000K/5700K
- Stylish black finish
- Integral non-dimmable control gear, 18 watt
- Robust PC body profile and opal PC diffuser, designed with multi access 20mm rear or side conduit entry points
- High efficiency SMD LED
- Optional eye lid diffuser to order (SE7192E/BK/P) for non-emergency models.

Maintained emergency options are compliant to AS/NZS2293 Emergency Lighting & Exit Signs, guaranteed minimum 90 minutes emergency mode function with LiFePO4 battery technology, spacing classification D20@C0



- 
- 
- 
- 
- 
- 
- 
- 
- 
- 
- 

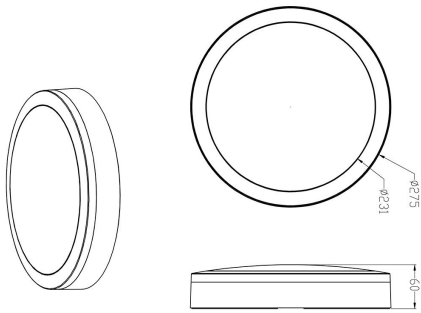
### Technical Specification

Model No.	Input Voltage (V/AC)	Power (W)	Lumens (lm)	CCT (K)	CRI	Diameter (mm)
SE7192TC/BK	240	18	1600/1800/1750	3000/4000/5700	80	275
SE7192TC/BK/EM	240	18	1600/1800/1750	3000/4000/5700	80	275

Model No.	Dim (mm)	Body Colour
SE7192TC/BK	60(H)	Black
SE7192TC/BK/EM	60(H)	Black

Due to continued product and technology enhancements, data sourced from sal.net.au shall not form part of any contract and or technical performance guarantee unless expressly confirmed in writing by SAL at the time of order. Products are sold in accordance with SAL Terms and Conditions of sale and all images shown are for illustration purposes only and may vary from the actual colour or finish. Unless specifically stated, all IP ratings nominated for Interior products are from "below the ceiling".

## Dimensions





Why is the IP rating important? In brief, IP (Ingress Protection) ratings are defined in EN 60529 and simply defines the ability of an electrical product to seal and protect against the intrusion of foreign objects and water.

(I) As the first numeral stands for intrusion of a foreign object, where (P) as the second numeral stands for the penetration of moisture.

As a guide IP20 rated products would be seen in interior spaces with no requirement for protection against the elements, where an IP65 product would be found in an exterior application which required substantial protection against the elements.

*Need more information on IP ratings? Check out the SAL web FAQ's or speak to your local SAL team member.*

**For more  
information  
please  
scan me**

