



## CLEAR DIM LCA - 4W

4 watt dimmable LED filament candle style clear lamps

### Application

Energy efficient LED lamp solutions

### Design Specifications

- Clear glass diffuser, SES, SBC, ES or BC base
- High efficiency LED filament
- Integral trailing edge dimmable LED driver
- 320° beam angle
- Colour temperature 2700K / 5000K, CRI > 80
- 1:1 size to traditional candle lamp, dimmable, suits most candle lamp fittings, double insulation

### Performance

Dimmable - **YES**

Dimmer Type - **Trailing edge**



## Technical Specification



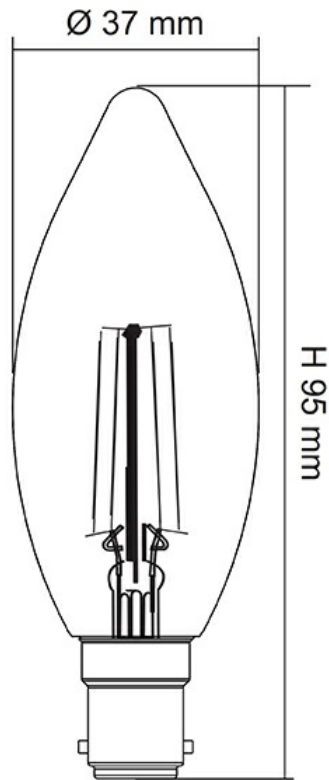
Model No.	Description	Input Voltage (V/AC)	Power (W)	Lumens (lm)	CCT (K)	CRI
LCA27B15D/C	LED CANDLE 4W B15 WW CLEAR DIM	240	4	450	2700	80
LCA27B22D/C	LED CANDLE 4W B22 WW CLEAR DIM	240	4	450	2700	80
LCA27E14D/C	LED CANDLE 4W E14 WW CLEAR DIM	240	4	450	2700	80
LCA27E27D/C	LED CANDLE 4W E27 WW CLEAR DIM	240	4	450	2700	80
LCA50B15D/C	LED CANDLE 4W B15 DL CLEAR DIM	240	4	450	5000	80
LCA50B22D/C	LED CANDLE 4W B22 DL CLEAR DIM	240	4	450	5000	80
LCA50E14D/C	LED CANDLE 4W E14 DL CLEAR DIM	240	4	450	5000	80
LCA50E27D/C	LED CANDLE 4W E27 DL CLEAR DIM	240	4	450	5000	80

Model No.	Beam Angle (°)	Dimmable	Dimensions (mm)	Base Type
LCA27B15D/C	320	YES	95(L) x 37(W)	B15
LCA27B22D/C	320	YES	91(L) x 37(W)	B22
LCA27E14D/C	320	YES	97(L) x 37(W)	E14
LCA27E27D/C	320	YES	92(L) x 37(W)	E27
LCA50B15D/C	320	YES	95(L) x 37(W)	B15
LCA50B22D/C	320	YES	91(L) x 37(W)	B22
LCA50E14D/C	320	YES	97(L) x 37(W)	E14
LCA50E27D/C	320	YES	92(L) x 37(W)	E27

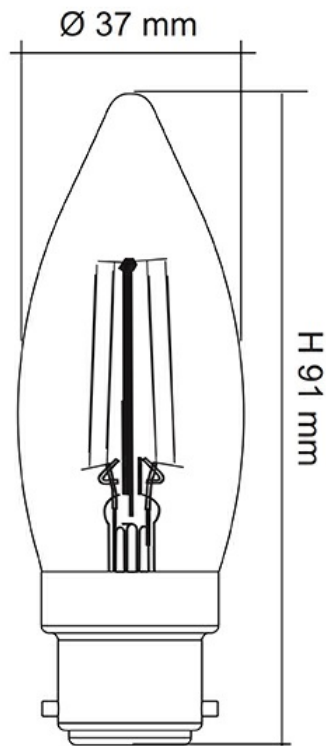
Due to continued product and technology enhancements, data sourced from sal.net.au shall not form part of any contract and or technical performance guarantee unless expressly confirmed in writing by SAL at the time of order. Products are sold in accordance with [SAL Terms and Conditions of sale](#) and all images shown are for illustration purposes only and may vary from the actual colour or finish. Unless specifically stated, all IP ratings nominated for Interior products are from "below the ceiling".

## Dimensions

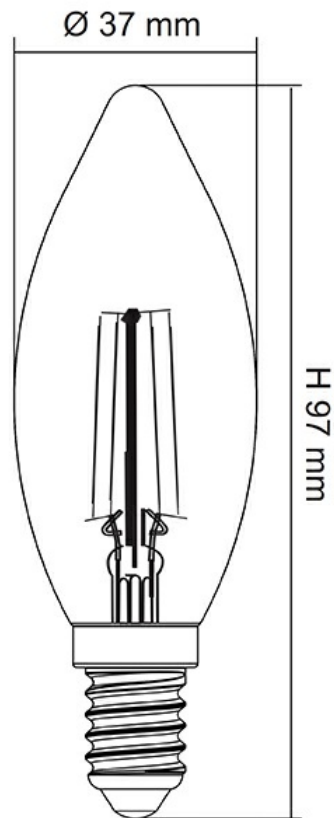
### LCA B15



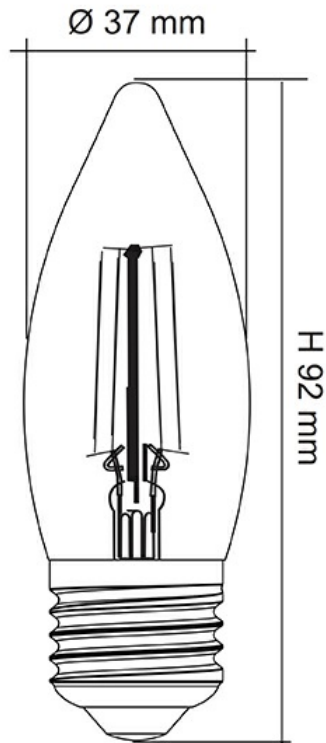
LCA B22



LCA E14



LCA E27



## Product Images

