



ALBANY S9514TC - 28/36W

Recessed LED rectangular Shop Light with selectable colour temperature and power.

Application

Ideal for any retail or commercial interior spaces

Design Specifications

- Easy selectable colour temperature with an inbuilt DIP switch
- Twin 28W / 36W setting with the integral DIP switch
- Adjustable up to 60 degree, IC - 4 rated.
- Constant current non-dimmable LED driver, complete with flex and plug.
- Stylish white or silver powder coat finish
- High efficiency SMD LED chips

Performance

Dimmable - **OPTIONAL**

Dimmer Type - **Trailing edge, 1-10V, DALI / DSI**



Technical Specification

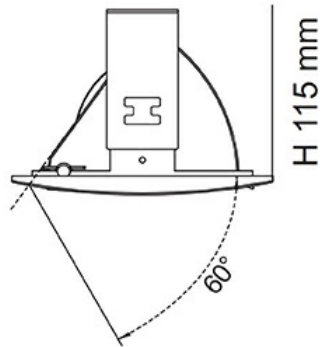
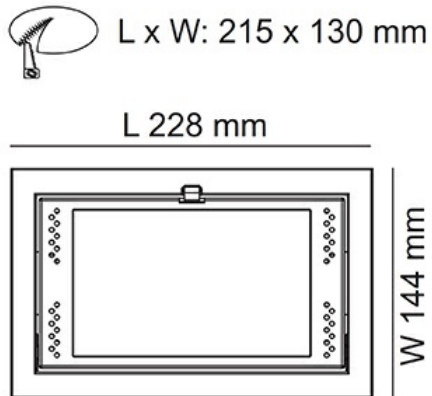
Model No.	Description	Input Voltage (V/AC)	Multiple Wattage	Lumens (lm)	CCT (K)	Beam Angle (°)
S9514TC WH	LED D/L 28/36W ADJ. 3/4/6K WH	240	28/36	2800/3600	3000/4000/5500	100
S9514TC SL	LED D/L 28/36W ADJ. 3/4/6K SL	240	28/36	2800/3600	3000/4000/5500	100

Model No.	Dimmable	CRI	Body Colour	Dimensions (mm)
S9514TC WH	OPTIONAL	80	WHITE	228(L) x 144(W) x 115(H)
S9514TC SL	OPTIONAL	80	SILVER	228(L) x 144(W) x 115(H)

Due to continued product and technology enhancements, data sourced from sal.net.au shall not form part of any contract and or technical performance guarantee unless expressly confirmed in writing by SAL at the time of order. Products are sold in accordance with [SAL Terms and Conditions of sale](#) and all images shown are for illustration purposes only and may vary from the actual colour or finish. Unless specifically stated, all IP ratings nominated for Interior products are from "below the ceiling".



Dimensions





Photometric Data

Unit: cd C0/C180 _____ C90/C270 _____

S9514TC at 3000K

