



ADAPTOR PLATE S9931

Interior downlight adaptor plates

Application

Residential or Commercial interior spaces

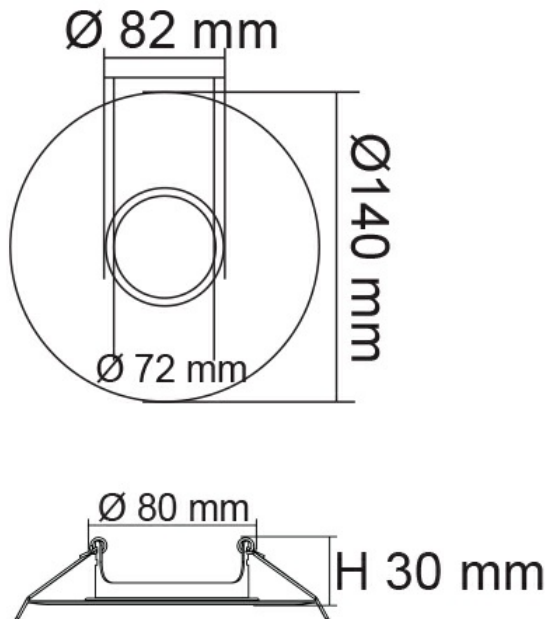
Design Specifications

- Pressed steel plate, white powder coat finish
- Suits SAL S9001, S9140, S9045, S9145
- Model number - S9931WH
- Dimensions: internal 72mm, overall 140mm



Due to continued product and technology enhancements, data sourced from sal.net.au shall not form part of any contract and or technical performance guarantee unless expressly confirmed in writing by SAL at the time of order. Products are sold in accordance with [SAL Terms and Conditions of sale](#) and all images shown are for illustration purposes only and may vary from the actual colour or finish. Unless specifically stated, all IP ratings nominated for Interior products are from "below the ceiling".

Dimensions





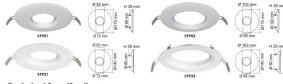
Product Images

ADAPTOR PLATE 59901, 59903, 59931, 59933

Interior downlight adaptor plates

Design Specifications

- Finest steel plate, black, satin nickel, matt white, or glass white powder coat finish



Technical Specifications

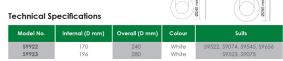
Model No.	Internal (D mm)	Overall (D mm)	Colour	Safe
59901A	72	175	Black	59901A
59901B	72	175	Satin Nickel	59901B, 59940B
59901C	72	175	Mat White	59901C, 59940C, 59940D, 59940E, 59940F, 59940G, 59940H
59903A	95	175	Black	59903A
59903B	95	175	Satin Nickel	59903B, 59940B
59903C	95	175	Mat White	59903C, 59940C, 59940D, 59940E, 59940F, 59940G, 59940H
59903D	95	175	Glass White	59903D, 59940D
59931A	72	140	Mat White	59931A, 59940A
59931B	72	140	Mat White	59931B, 59940B
59933A	95	140	Mat White	59933A, 59940A, 59940B, 59940C, 59940D, 59940E

REDUCER RINGS 59922, 59923

Interior downlight adaptor plates

Design Specifications

- Adaptor plate: glass white powder coat finish



Technical Specifications

Model No.	Internal (D mm)	Overall (D mm)	Colour	Safe
59922	175	245	White	59922, 59974, 59975, 59976
59923	175	300	White	59923, 59977

For terms and conditions of catalogue visit our website: www.sal.net.au