



Scan to explore
WRG12 online

Wall WRG12

2 x 6W IP65 Rated Bi-Directional Wall Light

Product Code	Colour Temperature	Colour Technology	Beam Angle	Trim Colour	Driver
WRG12	3 (3000K)	(CRI 80+ Standard)	WB (Wide)	W (White)	ND (Non-dimmable)
	4 (4000K)			B (Black)	

Order Code **WRG124-WB-B-ND**



Product Features

- Surface mounted IP65 rated wall light with direct and indirect light configuration
- Manufactured from an aluminium body and powder coat finish
- Sealed safety glass lens for ingress protection
- CRI 80+ available in 3000K and 4000K CCT options
- Supplied with integral driver

Product Attributes

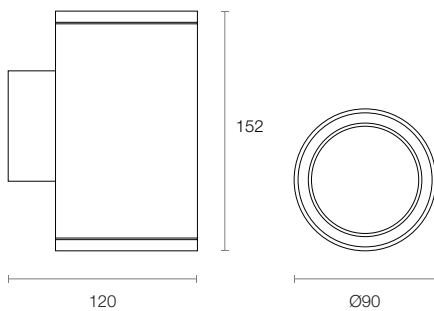


To configure this wall light, please visit
trendlighting.com.au/product/wall-WRG12

Physical Characteristics

Trim Colour	White Black
Dimensions	Ø90 x 152 (H) mm
Weight	690 g

Dimensions (mm)



Technical Characteristics

Based on WRG124-WB-B-ND

LED Power	2 x 6W
LED Type	COB
Lumen Output	640 lm
Luminous Flux	552 lm
Efficacy	46 lm/W
Colour Temperature	3000K 4000K
Colour Technology	CRI 80+
Colour Deviation	SDCM ≤ 3
Lifetime	50,000 hours (L70)
Beam Angle	Wide
System Power	12W Typical
Driver Model	N/A – AC LED
Input	240V AC 50/60 Hz
Dimming	Non-dimmable

General Characteristics

Category	Exterior
Family	Wall
Surface	Wall
Mounting	Surface Mounted
Ingress Protection	IP65



Scan to explore
WRG12 online

Wall WRG12

2 x 6W IP65 Rated Bi-Directional Wall Light

Product Code	Colour Temperature	Colour Technology	Beam Angle	Trim Colour	Driver
WRG12	3 (3000K)	(CRI 80+ Standard)	WB (Wide)	W (White)	ND (Non-dimmable)
	4 (4000K)			B (Black)	

Order Code **WRG124-WB-B-ND**

To configure this wall light, please visit
trendlighting.com.au/product/wall-WRG12

Trim Colour



W
White Trim



B
Black Trim