

WP12-10

Constant Voltage LED Driver



Description

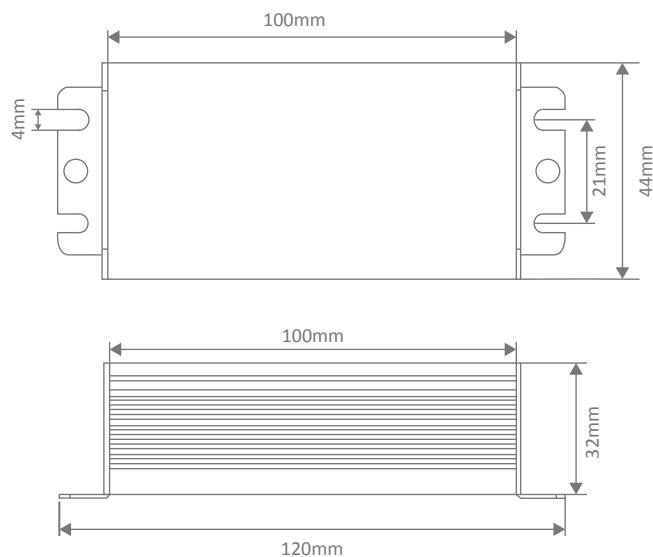
10W 12V DC Weatherproof Constant Voltage LED Driver for use on LED strip lighting, garden lights, Inground uplighters and much more. Complete with flex and plug. Backed by a 3 Year replacement Warranty.

Specification Features

Input Voltage (AC):	200-260V 50/60Hz
Output Voltage (DC):	12V
Output Wattage (W):	1 - 10W
Flex and Plug:	Yes
IP Rating (IP):	67
Dimensions:	(L) 100mm x (W) 44mm x (H) 32mm
Warranty:	3 Year Replacement
Wiring:	Wire in Parallel
Protection:	Short Circuit, Over Voltage, Over Temperature & Overload



Diagrams / Additional



Item No.	Variant
DRIVER-WP12V	20198

WP12-15

Constant Voltage LED Driver



Description

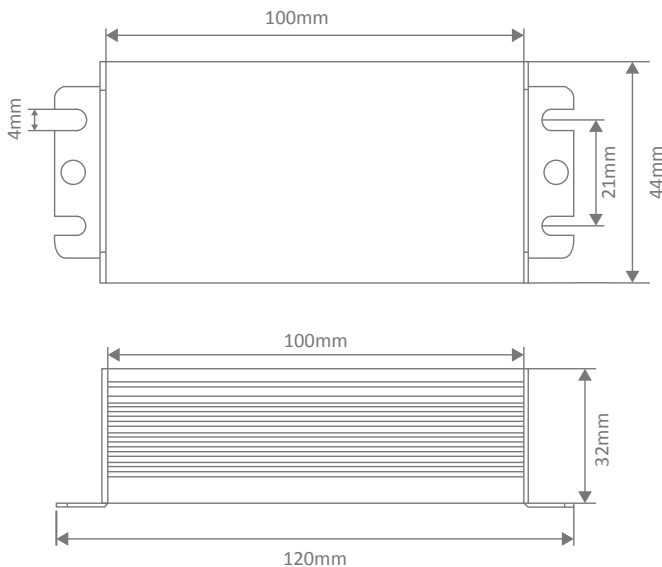
15W 12V DC Weatherproof Constant Voltage LED Driver for use on LED strip lighting, garden lights, inground uplighters and much more. Complete with flex and plug. Backed by a 3 Year replacement Warranty.

Specification Features

Input Voltage (AC):	200-260V 50/60Hz
Output Voltage (DC):	12V DC
Output Wattage (W):	1.5 - 15W
Flex and Plug:	Yes
IP Rating (IP):	67
Dimensions:	(L) 100mm x (W) 44mm x (H) 32mm
Warranty:	3 Year Replacement
Wiring:	Wire in Parallel
Protection:	Short Circuit, Over Voltage, Over Temperature & Overload



Diagrams / Additional



Item No.	Variant
DRIVER-WP12V	20200

WP12-30

Constant Voltage LED Driver



Description

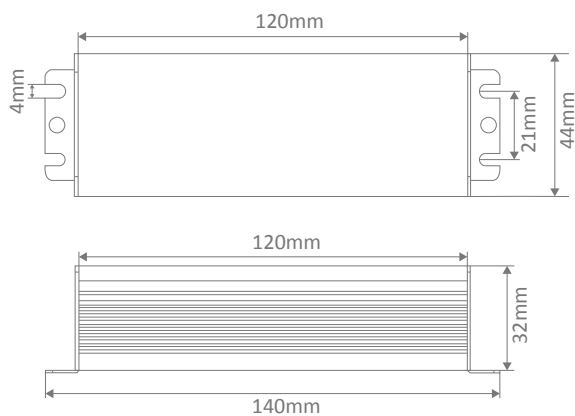
30W 12V DC Weatherproof Constant Voltage LED Driver for use on LED strip lighting, garden lights, inground uplighters and much more. Complete with flex and plug. Backed by a 3 Year replacement Warranty.

Specification Features

Input Voltage (AC):	200-260V 50/60Hz
Output Voltage (DC):	12V DC
Output Wattage (W):	3 - 30W
Flex and Plug:	Yes
IP Rating (IP):	67
Dimensions:	(L) 120mm x (W) 44mm x (H) 32mm
Warranty:	3 Year Replacement
Wiring:	Wire in Parallel
Protection:	Short Circuit, Over Voltage, Over Temperature & Overload



Diagrams / Additional



Item No.	Variant
DRIVER-WP12V	20201

WP12-60

Constant Voltage LED Driver



Description

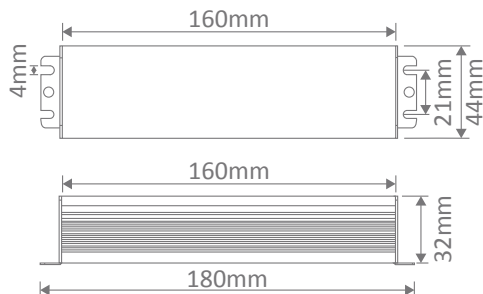
60W 12V DC Weatherproof Constant Voltage LED Driver for use on LED strip lighting, garden lights, inground uplighters and much more. Complete with flex and plug. Backed by a 3 Year replacement Warranty.

Specification Features

Input Voltage (AC):	200-260V 50/60Hz
Output Voltage (DC):	12V DC
Output Wattage (W):	6 - 60W
Flex and Plug:	Yes
IP rating (IP):	67
Dimensions:	(L) 160mm x (W) 44mm x (H) 32mm
Warranty:	3 Year Replacement
Wiring:	Wire in Parallel
Protection:	Short Circuit, Over Voltage, Over Temperature & Overload



Diagrams / Additional



Item No.	Variant
DRIVER-WP12V	20202

WP12-100

Constant Voltage LED Driver



Description

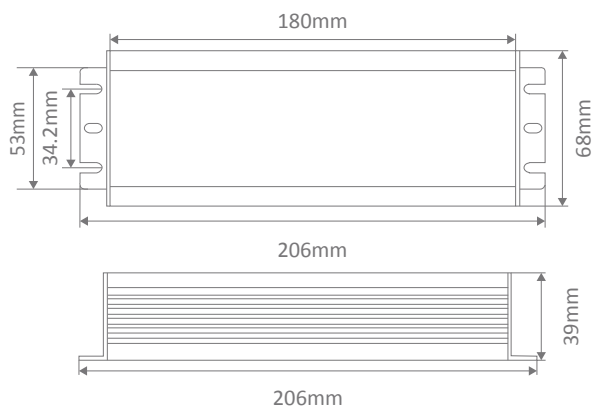
100W 12V DC Weatherproof Constant Voltage LED Driver for use on LED strip lighting, garden lights, inground uplighters and much more. Complete with flex and plug. Backed by a 3 Year replacement Warranty.

Specification Features

Input Voltage (AC):	200-260V 50/60Hz
Output Voltage (DC):	12V DC
Output Wattage (W):	10 - 100W
Flex and Plug:	Yes
LED Indicator:	No
IP Rating (IP):	67
Dimensions:	(L) 180mm x (W) 68mm x (H) 39mm
Warranty:	3 Year Replacement
Wiring:	Wire in Parallel
Protection:	Short Circuit, Over Voltage, Over Temperature & Overload



Diagrams / Additional



Item No.	Variant
DRIVER-WP12V	20203

WP12-150

Constant Voltage LED Driver



Description

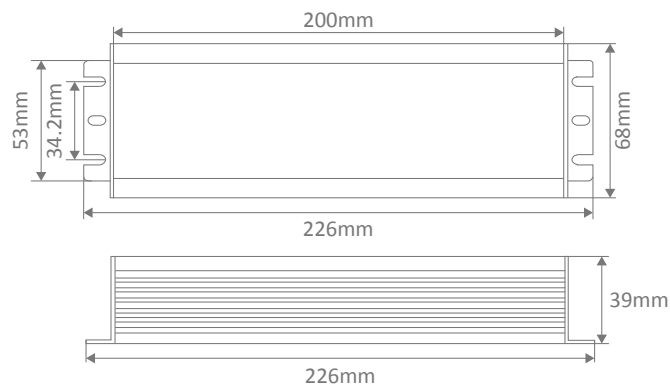
150W 12V DC Weatherproof Constant Voltage LED Driver for use on LED strip lighting, garden lights, inground uplighters and much more. Complete with flex and plug. Backed by a 3 Year replacement Warranty.

Specification Features

Input Voltage (AC):	200-260V 50/60Hz
Output Voltage (DC):	12V DC
Output Wattage (W):	15 - 150W
Flex and Plug:	Yes
IP Rating (IP):	67
Dimensions:	(L) 200mm x (W) 68mm x (H) 39mm
Warranty:	3 Year Replacement
Wiring:	Wire in Parallel
Protection:	Short Circuit, Over Voltage, Over Temperature & Overload



Diagrams / Additional



Item No.	Variant
DRIVER-WP12V	20204

WP12-200 Constant Voltage LED Driver



Description

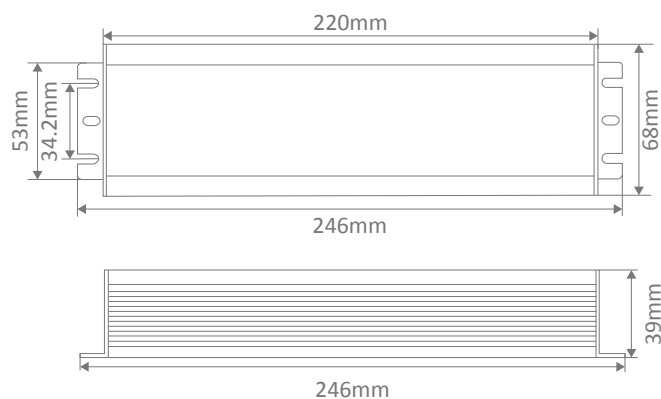
200W 12V DC Weatherproof Constant Voltage LED Driver for use on LED strip lighting, garden lights, inground uplighters and much more. Complete with flex and plug. Backed by a 3 Year replacement Warranty.

Specification Features

Input Voltage (AC):	200-260V 50/60Hz
Output Voltage (DC):	12V DC
Output Wattage (W):	20 - 200W
Flex and Plug:	Yes
IP Rating (IP):	67
Dimensions:	(L) 220mm x (W) 68mm x (H) 39mm
Warranty:	3 Year Replacement
Wiring:	Wire in Parallel
Protection:	Short Circuit, Over Voltage, Over Temperature & Overload



Diagrams / Additional



Item No.	Variant
DRIVER-WP12V	20199

WP12-250 Constant Voltage LED Driver



Description

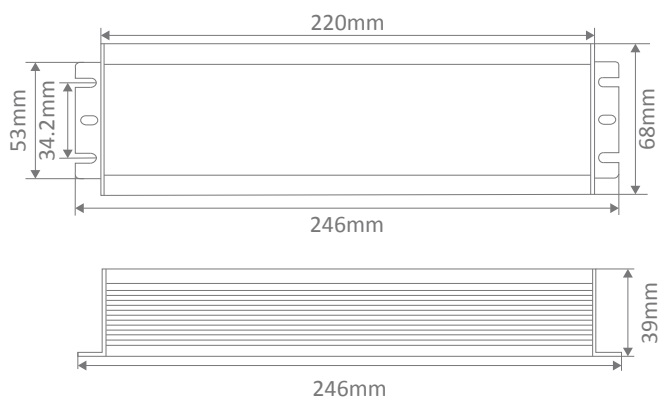
250W 12V DC Weatherproof Constant Voltage LED Driver for use on LED strip lighting, garden lights, inground uplighters and much more. Complete with flex and plug. Backed by a 3 Year replacement Warranty.

Specification Features

Input Voltage (AC):	200-260V 50/60Hz
Output Voltage (DC):	12V DC
Output Wattage (W):	25 - 250W
Flex and Plug:	Yes
IP Rating (IP):	67
Dimensions:	(L) 220mm x (W) 68mm x (H) 39mm
Warranty:	3 Year Replacement
Wiring:	Wire in Parallel
Protection:	Short Circuit, Over Voltage, Over Temperature & Overload



Diagrams / Additional



Item No.	Variant
DRIVER-WP12V	20259