



Scan to explore
VSL6 online

Spike VSL6

6W IP65 Rated Exterior Spike Light

Product Code	Colour Temperature	Colour Technology	Beam Angle	Trim Colour
VSL6	3 (3000K)	(CRI 80+ Standard)	MB (Medium)	B (Black)

Order Code **VSL63-MB-B**



Product Features

- Surface mounted IP65 rated adjustable spike light, offering a flexible solution for landscape and architectural lighting
- Manufactured from 316 stainless steel with a powder coat finish
- CRI 80+ available in 3000K CCT option
- Compatible driver models available upon request

Requirements

12V DC 500mA constant voltage driver

To configure this spike light, please visit
trendlighting.com.au/product/spike-VSL6

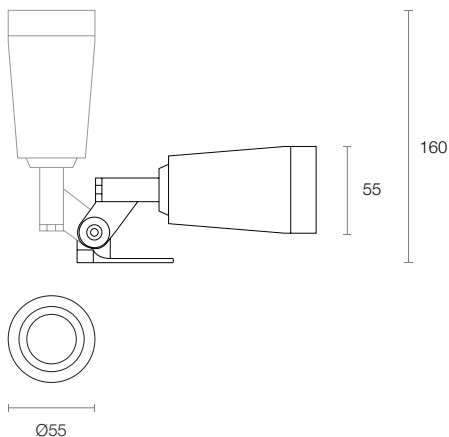
Product Attributes



Physical Characteristics

Trim Colour	Black
Dimensions	Ø55 x 160 (H) mm
Tilt Angle	90°
Weight	688 g

Dimensions (mm)



Technical Characteristics

Based on VSL63-MB-B

LED Power	6W
LED Type	COB
Lumen Output	540 lm
Luminous Flux	467 lm
Efficacy	77.83 lm/W
Colour Temperature	3000K
Colour Technology	CRI 80+
Colour Deviation	SDCM ≤ 3
Lifetime	50,000 hours (L80)
Beam Angle	Medium
System Power	6W Typical (12V DC 500mA)

General Characteristics

Category	Exterior
Family	Spike
Surface	Floor Wall
Mounting	Surface Mounted
Ingress Protection	IP65