

Installation Manual

Sunset Square

Variant	Item No.	Description
20886	SUNSET-SQR-250	Square 15W LED ceiling light, TRIO Technology.
20887	SUNSET-SQR-300	Square 25W LED ceiling light, TRIO Technology.
20888	SUNSET-SQR-400	Square 35W LED ceiling light, TRIO Technology.

Thank you for purchasing your new LED SUNSET, Please take the time to read and understand the instruction sheet below. Failure to do so may void warranty.

Specifications

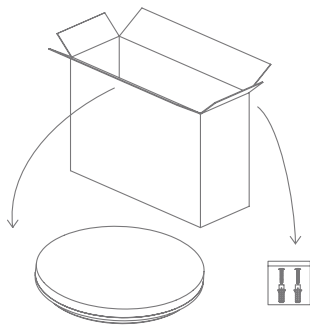
Voltage:	240V	CCT:	3000K - 4000K - 5700K (Switchable)	Dimmable:	Yes*
Power:	15W, 25W, 35W	Beam Angle:	120°	CRI:	≥80
IP Rating:	54	Lifespan:	50,000hrs		

*Tested on the Domus dimmer series. May work on others but not tested.

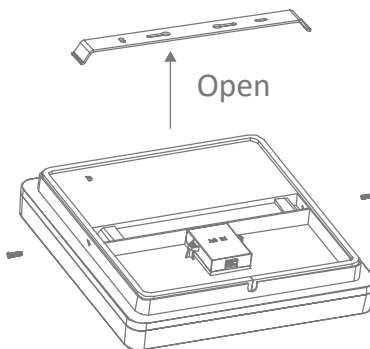
Lumen (±5%):

15W	25W	35W
Warm White 3000K - 1430lm White 4000K - 1520lm White 5700K - 1460lm	Warm White 3000K - 2380lm White 4000K - 2620lm White 5700K - 2490lm	Warm White 3000K - 3300lm White 4000K - 3570lm White 5700K - 3380lm

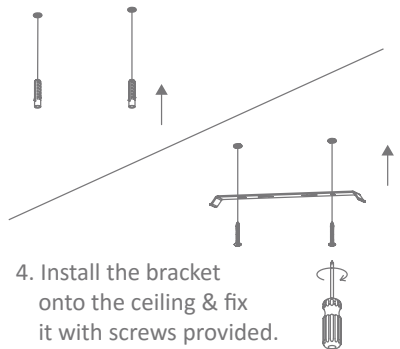
1. Remove ceiling light from the box.



2. Remove the side screws and lift the bracket.

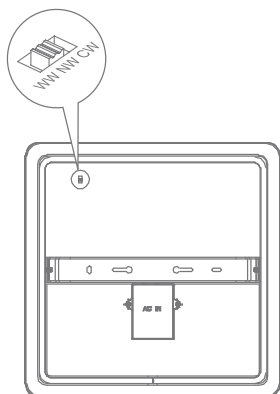


3. Install the bracket onto the ceiling.

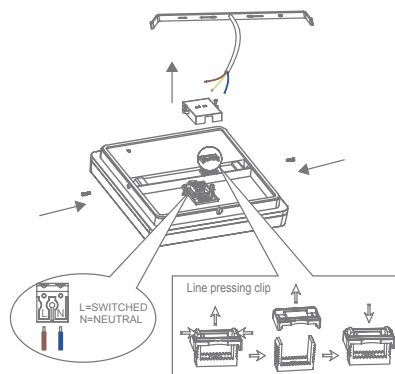


4. Install the bracket onto the ceiling & fix it with screws provided.

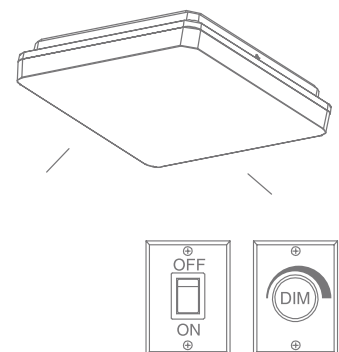
5. Select the desired colour temp.



6. Connect to power and use the clip to fix the cable in place.



7. Switch on the power.



Note: -The lamp must be installed by professional electrician
-Ensure the power supply is switched off before fitting this product

-Do not touch the lamp when in use
-Keep away from hot steam and corrosive gas