

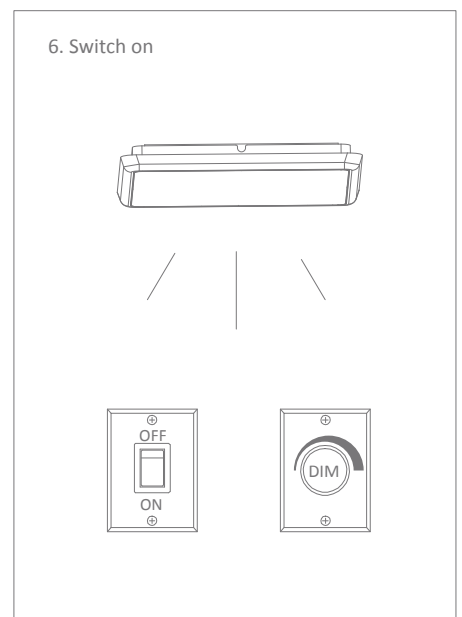
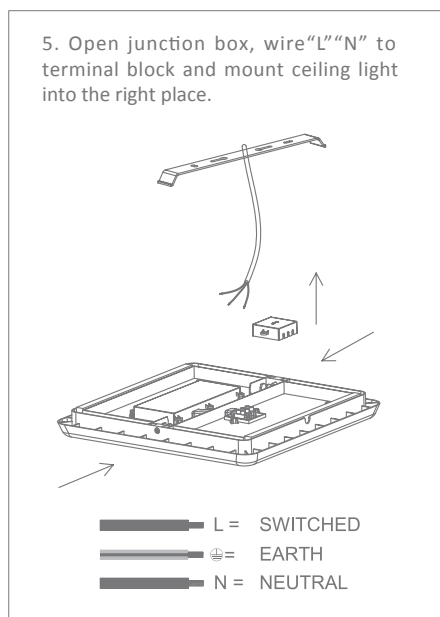
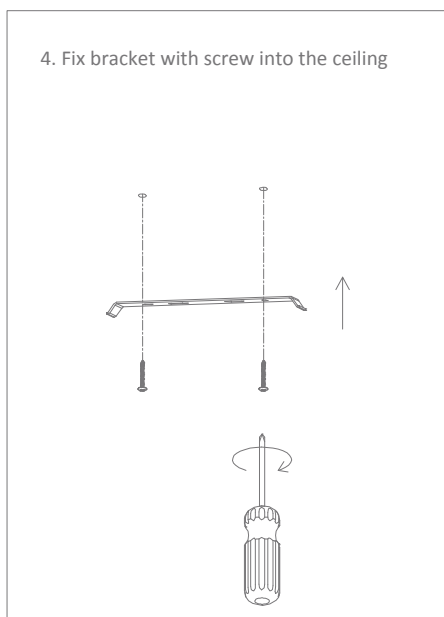
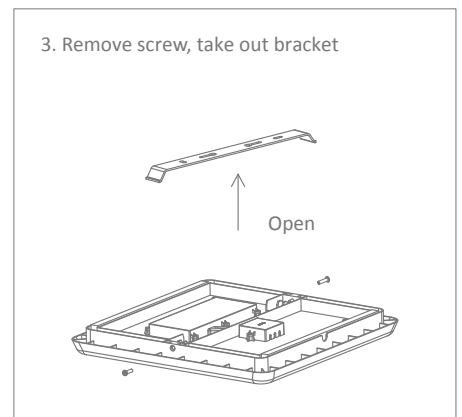
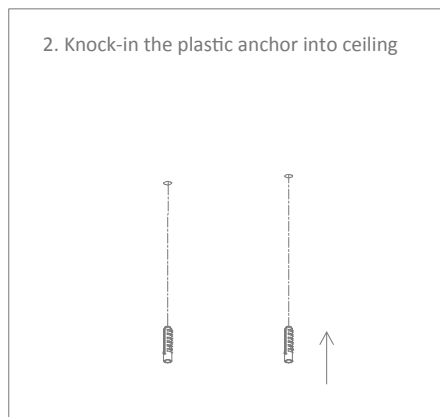
SOLAR-SQR-400

Order Code	Product Code	Description
20945	SOLAR-SQR-400-WHT-TRIO	35W Ceiling Light Oyster, TRIO Technology. Satin White Finish
20947	SOLAR-SQR-400-BLK-TRIO	35W Ceiling Light Oyster, TRIO Technology. Black Finish

Thank you for purchasing your new LED SOLAR-SQR-300, Please take the time to read and understand the instruction sheet below. Failure to do so may void warranty.

Specifications

Voltage:	AC 240V	Lumen (±5%):	Warm White 3000K - 3000lm Neutral White 4000K - 3050lm White 5000K - 3100lm	Dimmable:	Yes
Power:	35W	Beam Angle:	120°	Operating Temp:	-20°C~45°C
IP Rating:	54	CCT:	3000K - 4000K - 5700K (Switchable)	Power Factor:	≥0.9
CRI:	≥80	Lifespan:	40,000hrs		



Note: -The lamp must be installed by professional electrician
-Ensure the power supply is switched off before fitting this product

-Do not touch the lamp when in use
-Keep away from hot steam and corrosive gas