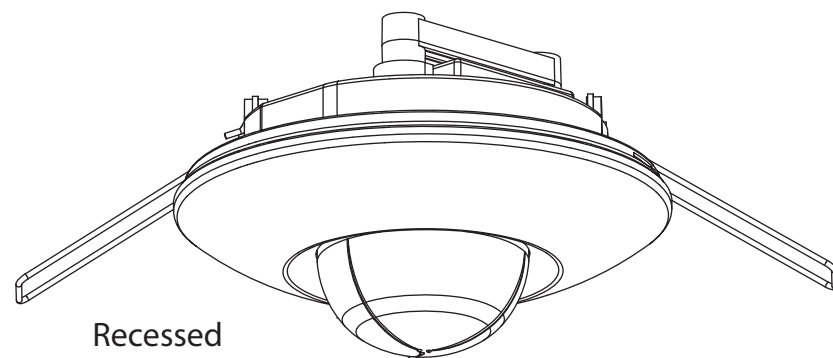


Surface Mounted



Recessed

### ■ TECHNICAL DETAILS

Input Voltage:	240V~50Hz
Max. Load:	2000W incandescent or 600W fluorescent or 300W LED
Detection Angle:	360°
Detection Distance:	Max. radius 9 m for normal detection (defined as full body movement) Max. radius 3 m for occupancy detection (defined as minor hand movement) when mounting at 3 m high
Duration Time:	10 seconds to 40 minutes adjustable
Lux Control Level:	From dawn to dusk adjustable
IP Rating:	IP20

### ■ OCCUPANCY FUNCTION

The sensor has an occupancy detection range of 3 m radius. In this range, the sensor will detect small movement to turn the light on or keep the light on.

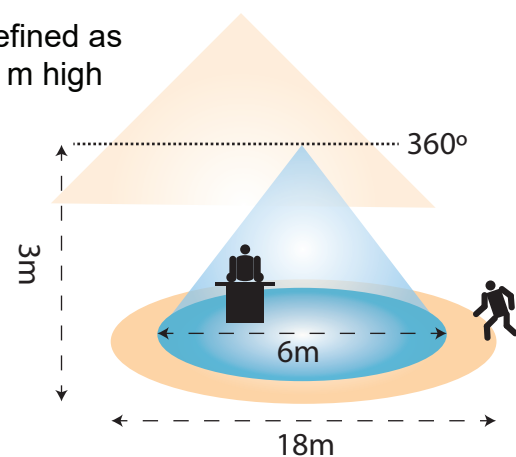
### ■ SENSOR POSITIONING

The sensor is designed for optimum performance when mounted at around 3 m above ground.

1. Avoid positioning the sensor close to heat sources such as heat extraction units, which may cause false triggering.
2. Avoid pointing the sensor at bright lights as sensor will not function when you set LUX control level to dusk (☾) position.
3. Avoid mounting the sensor in a strong electromagnetic field, which may cause false triggering.

### ■ SENSITIVITY ADJUSTMENT

The sensitivity means the maximum distance which the sensor can be triggered by physical movement. Turning the SENS knob from (+) to (-) will decrease the sensitivity.



### ■ LUX CONTROL ADJUSTMENT

The LUX control module has a built-in sensing device (CdS photocell) that detects daylight and darkness. (☀) dawn position denotes that the lamp(s) (load) will be turned on by sensor in daylight and darkness. (☾) dusk position denotes that the lamp(s) (load) will be turned on by sensor only in darkness. You can set the desired operating LUX level by adjusting the LUX control.

### ■ DURATION TIME ADJUSTMENT

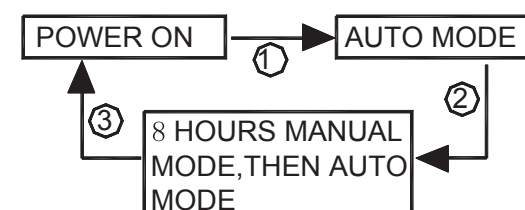
The duration time is the length of time after the sensor switches the lamp 'on'. The duration time can be adjusted from 10 seconds to 40 minutes by turning the TIME knob. Once the lamp(s) (load) has been triggered by the sensor, any subsequent detection will start the timed period again from the beginning.

### ■ WALKING TEST

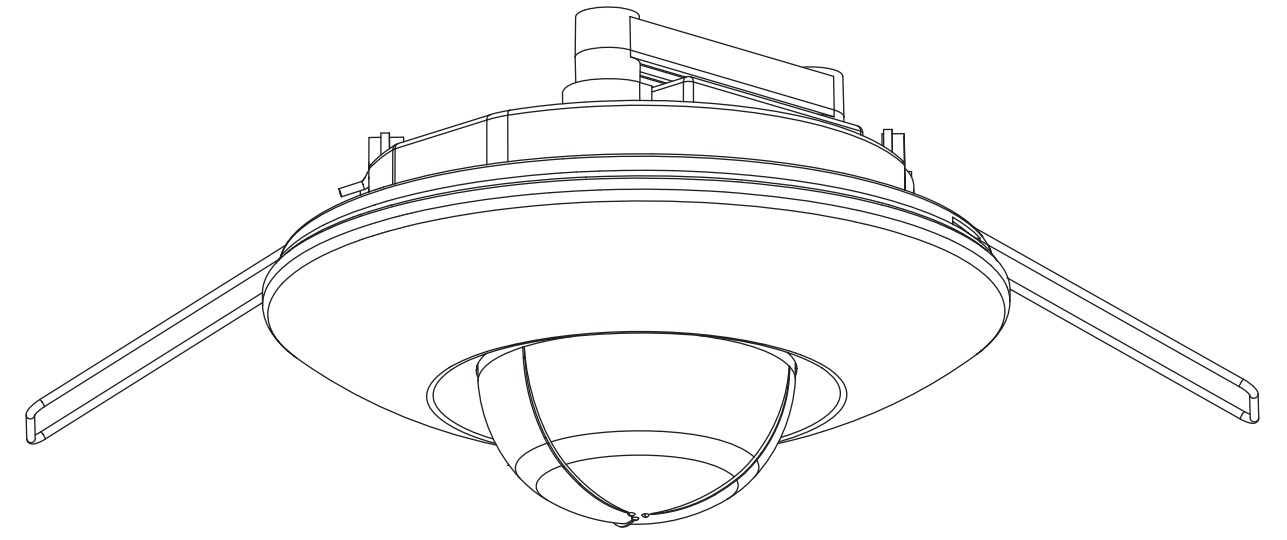
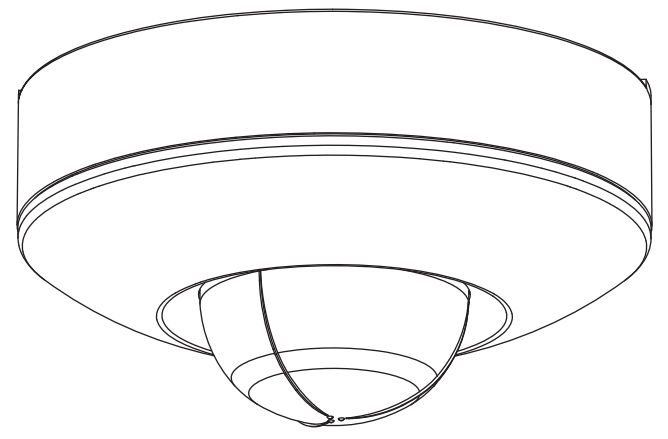
When the power is switched on, the sensor will enter into a "WARM-UP" period for about 1 minute and will then automatically change into "AUTO MODE". Walking test can be done by placing the LUX control at dawn (☀) position, and the TIME control at minimum (-) position. Once the sensor receives a valid trigger signal (such as movement of a human) within its detection area, the lamp(s) (load) will be turned on for the pre-set period of time.

After completing the walking test, set the LUX control to the preferred dawn (☀) or dusk (☾) position and set TIME control to the desired "ON" time.

### ■ MANUAL OVERRIDE MODE



1. When the power is switched on, the sensor will enter into a "WARM-UP" period for about 1 minute and will then automatically change into "AUTO MODE".
2. During AUTO MODE, by switching on and off twice within 3 seconds and then switch on, the sensor will be set on 8 hours MANUAL MODE. In MANUAL MODE, the lamp(s) will remain ON, will not be affected by duration time and lux control level. After 8 hours, the lamp will automatically change into AUTO MODE again.
3. During MANUAL MODE, by switching on and off twice within 3 seconds and then switch on, the sensor will be set back on AUTO MODE.
4. During MANUAL MODE or AUTO MODE, by switching off the main switch for over 10 seconds and then on again, the sensor will be reset, but "WARM-UP" time may be shorter than 1 minute.

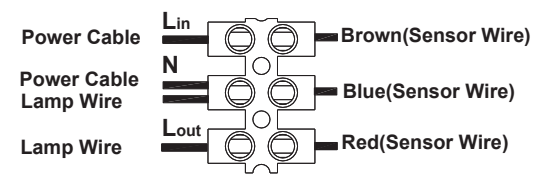
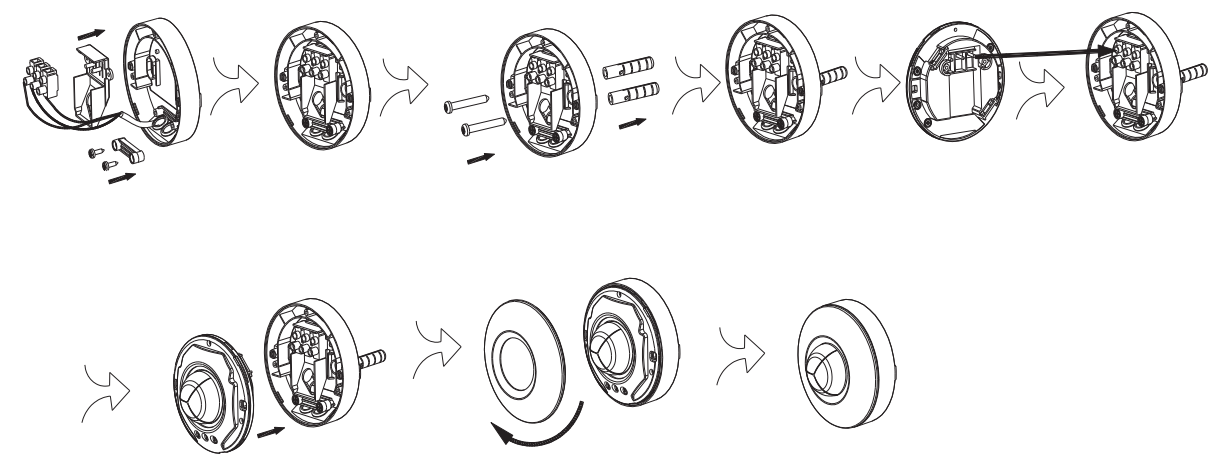


## A. Surface Mounting Application

### ■ SENSOR INSTALLATION

Before commencing any electrical work, make sure mains power is off.

1. Dismount the sensor cover and body from base, unscrew the terminal block and cable clamp.
2. Fix the sensor base onto the mounting surface with screws.
3. Wire the sensor with power cables and lamp wires as per wiring diagram, make sure the correct polarity to the terminals.
4. Refit the terminal block and cable clamp.
5. Put back the sensor body onto base and put on the sensor cover.



## B. Recess Mounting Application

### ■ SENSOR INSTALLATION

Before commencing any electrical work, make sure mains power is off.

1. Cut out a round hole in 92 mm diameter on the ceiling where the sensor is to be mounted
2. Dismount the sensor cover and body from base, unscrew the terminal block and cable clamp.
3. Wire the sensor with power cables and lamp wires as per wiring diagram, make sure the correct polarity to the terminals.
4. Refit the terminal block and cable clamp.
5. Put back the sensor cover onto body.
6. Put the two springs onto the sensor bracket.
7. Install the sensor into the cutout hole on ceiling.

