

IMPORTANT: IN THE INTEREST OF PRODUCT PERFORMANCE AND SAFETY PLEASE READ THESE INSTALLATION AND WARRANTY INSTRUCTIONS BEFORE INSTALLING THE PRODUCT.



SAL products are designed in accordance with all mandatory International and Australian Standards, which require installation by a qualified installer and regular cleaning and maintenance of the equipment. Products are sold in accordance with the following instructions and SAL standard terms and conditions of sale, which are available via www.sal.net.au.

Due to continued product and information updates, product data sourced from sal.net.au shall not form part of any contract and or technical performance guarantee unless expressly confirmed in writing by SAL at the time of order.

KEW SL9721 LED WEATHERPROOF BATTEN WITH SELECTABLE POWER product electrical and installation specification effective 9/8/2019.

Model No.	Input (V)/(Hz)	Power (W)	Line Current (A)	In-rush Current (A)	Lumens (lm)	CCT (K)	CRI	Mass (N.W. kg)	Dimension L x W x H (mm)
SL9721/20W WW	240/50	20*	0.09	10A MAX.@100µs	900/1800	3000	>80	1.21	618 x 116 x 74
SL9721/20W DL	240/50	20*	0.09	10A MAX.@100µs	900/1800	5000	>80	1.21	618 x 116 x 74
SL9721/35W WW	240/50	35*	0.18	10A MAX.@100µs	1800/3600	3000	>80	2.5	1215 x 116 x 74
SL9721/35W DL	240/50	35*	0.18	10A MAX.@100µs	1800/3600	5000	>80	2.5	1215 x 116 x 74

*The Max. system power is 20W (SL9721/20W) or 35W (SL9721/35W). See clause 12 for wattage adjustment.

Model No.	Input (V)/(Hz)	Emergency Classification	Power @ Maintained mode (W)	Lumens @ Maintained mode (lm)	CCT (K)	CRI	Mass (N.W. kg)	Dimension L x W x H (mm)
SL9721/20EM	240/50	D32@C0, D20@C90	Max.20	Max.1800	5000	>80	1.34	618 x 116 x 74
SL9721/35EM	240/50	D40@C0, D25@C90	Max.35	Max.3600	5000	>80	2.65	1215 x 116 x 74

Electrical class	Class II	Beam Angle	120°
Power factor	0.9	Earth Leakage current	<1mA
Operating ambient min/max (°C)	-20 to 40 (EM models 0 to 40)	Storage ambient limit (°C)	0 to 60
Operating humidity	10% to 85% RH, NC	Storage humidity	10% to 85% RH, NC
Calculated TM - 21, L ₇₀ @ 85 °C (hrs)	68,000	Reported TM - 21, L ₇₀ @ 85 °C (hrs)	>54,000
Aiming restrictions (if any)	N/A	Product application	Interior & exterior residential & commercial spaces
IK rating (if relevant)	08	Product installation orientation	Horizontal ceiling & wall mount
CCT (k) switch control (TC)	No	Dimmable	No
Insulation cover rating (if any)	N/A	PIXIE connectivity	Yes - switch only
IP rating	IP65	Attachment type	N/A
Replaceable LED	No (see clause 8)	User replaceable LED	No (see clause 8)
IP rating for interior products: The designated IP rating is "from below the ceiling" unless otherwise specified.			
IP rating ALL products; Termination of the product must be made in accordance with the IP rating.			
Earth Leakage current: Is calculated in accordance with AS/NZ 60598.1.2013 table 10.3.			

General product application requirements (where applicable) :

- CCT or POWER selection (where supplied)** – IMPORTANT, where CCT or POWER selection switching is provided, it is important to switch OFF the SUPPLY before the CCT selection is made, otherwise equipment damage may occur.
- Recycling** – SAL encourages recycling, please consider the environment when disposing of packaging, batteries & components.
- Switching or test intervals** – For optimum product performance, good design practice does not encourage 24/7 operation of lighting products without the provision of a routine switching or regulatory test cycle. As a guide for continual operation installations, a twelve (12) hour duration for Industrial and Commercial applications and six (6) hour duration for Residential applications should be considered.
- Product maintenance** – In line with the relevant design standards and to protect your investment, it is important to have in place a routine cleaning program that reflects the installation environment and maintains the product in a clean and functional condition.
- Adverse, corrosive and coastal installation applications** – Unless the product is specifically designated for such applications in these installation instructions, which is supported by a professional maintenance program; installation of equipment in such environments is not recommended.
- Dimming products** – Dimming circuits and product compatibility must be validated by the installer before installation; SAL cannot be responsible for third party changes in dimmer compatibility.
- Suspended products** – For installation safety, any suspended products must NOT be installed in high air movement spaces or locations subject to impact.
- Light source replacements** – (non-replaceable light sources) - The light source of the product is deemed not replaceable, when the product reaches its end of life, the complete product must be replaced by a qualified installer. (Non-user replaceable light sources) - The light source of the product must only be replaced by the manufacturer or qualified installer. **Caution, risk of electric shock.**
- Interior downlights and sensors with remote drivers** – The mounting facilities provided for the transformer/driver (if any), need only be utilized if in the application of the product is required by AS3000. Drivers are not designed for installation environments that restrict conventional airflow.

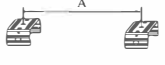
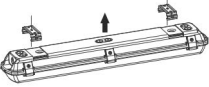
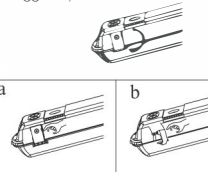
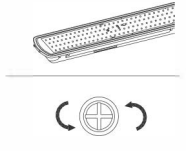
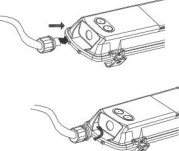
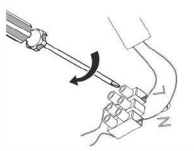
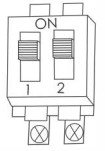
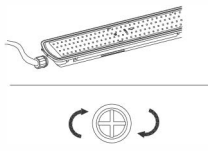
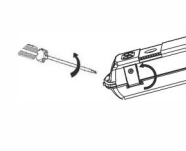
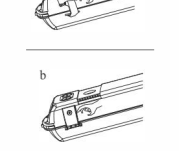
10. Floodlight products – Unless nominated aiming restrictions or installation parameters apply, products are designed for installation environments between ground and 15 metres in height, subject to the desired optical performance being achieved.

11. Emergency commissioning and operation:

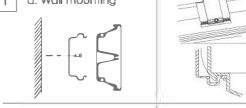
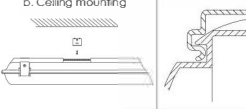
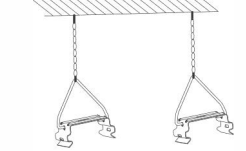
(1) Battery switch: For safety and product performance the product is transported with the battery switched OFF. Prior to commissioning the battery switch MUST BE switched ON for correct functionality. (2) Switch on mains supply. The charge monitor LED will illuminate. (3) Allow the unit to operate for 30 minutes and then depress the test switch to check emergency operation. (4) Release the test switch and allow the unit to operate for 16 hours to fully charge the battery after which time the unit is ready for duty. (5) Self-contained emergency luminaires shall be subjected to a battery discharge test for the required duration at regular intervals in accordance with AS/NZS 2293 applicable to emergency lighting. Batteries should be replaced with the same brand/type when the rated duration is no longer achieved. (6) In the interest of safety, the 6 monthly test should be undertaken during daylight hours to allow for the possibility of failures of the standard lighting supply whilst the battery is discharged.

12. Specific installation procedures: (if any)

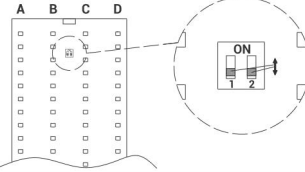
Luminaire installation

<p>1</p> <p>Fix the mounting clips onto the ceiling at the distance as illustrated below.</p>  <table border="1" data-bbox="37 691 230 755"> <tr> <td>Model No.</td> <td>A (mm)</td> </tr> <tr> <td>SL9721/20W</td> <td>410</td> </tr> <tr> <td>SL9721/35W</td> <td>800</td> </tr> </table>	Model No.	A (mm)	SL9721/20W	410	SL9721/35W	800	<p>2</p> <p>Align the groove on the rear of luminaire in line with mounting clips and push the luminaire in.</p> 	<p>3</p> <p>Open the diffuser by releasing all toggle clips.</p> 	<p>4</p> <p>Detach the LED panel plate by loosening the two fixing screws.</p> 	<p>5</p> <p>Insert the mains cable through the cable gland and tighten it.</p> 
Model No.	A (mm)									
SL9721/20W	410									
SL9721/35W	800									
<p>6</p> <p>Terminate the conductors.</p> 	<p>7</p> <p>Light output / Wattage adjustment from power supply</p>  <p>It can be set at either 50%, 75% or 100%. So it can be replaced either as single or twin traditional fitting.</p>	<p>8</p> <p>Re-attach the LED panel plate by fastening the two fixing screws.</p> 	<p>9</p> <p>Close diffuser by fastening all toggle clips. Test and energize.</p> 	<p>2</p> <p>Suspension mounting (Suspension accessories not included)</p> 						

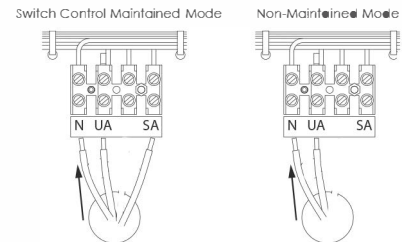
Mounting method

<p>1</p> <p>a. Wall mounting</p>  <p>b. Ceiling mounting</p> 	<p>2</p> <p>Suspension mounting (Suspension accessories not included)</p> 
--	--

Light output / Wattage adjustment

	<p>1&2 OFF: Group A,B,C,D light sources will be ON. The total system power is 18W (SL9721/20W) or 36W (SL9721/35W).</p> <p>1&2 ON: Group B,C light sources will be ON, Group A,D be OFF. The total system power is 9W (SL9721/20W) or 18W (SL9721/35W).</p> <p>1 ON & 2 OFF: Group B,C,D light sources will be ON, Group A be OFF. The total system power is 14W (SL9721/20W) or 27W (SL9721/35W).</p> <p>1 OFF & 2 ON: Group A,B,C light sources will be ON, Group D be OFF. The total system power is 14W (SL9721/20W) or 27W (SL9721/35W).</p>
--	---

Wiring Diagram for EM models



13. Warranty – In accordance with SAL's standard terms and conditions of sale, SAL warrant this product to be free from defects in materials and or workmanship for a period as stated below for goods not subject to incorrect installation, maintenance, operation, mishandling, environmental, unauthorised modifications or electrical operating conditions outside the nominated product specification as detailed in these installation instructions. The benefits to you given by this warranty are in addition to other rights and remedies you have under law. Our goods come with guarantees that cannot be excluded under the Australian Consumer Law. You are entitled to a replacement or refund for a major failure and compensation for any other reasonably foreseeable loss or damage. You are also entitled to have the goods repaired or replaced if the goods fail to be of acceptable quality and the failure does not amount to a major failure.

Warranty term – Thirty six (36) months from date of purchase.

How to make a claim?

Step # 1 – Within 30 days of the fault discovery, please contact the original place of the SAL product purchase during standard (local) business hours, with the following information **(a)** proof of purchase **(b)** description and quantity of the claimed fault **(c)** address of installation. **(d)** operating hours of the product.

Step # 2 – It is then the responsibility of the original place of product purchase to report the matter to SAL aftersales:

NSW ACT QLD	– SAL National Pty Ltd, 40 Biloela Street Villawood NSW 2163	P # 02 9723 3099
QLD	– SAL National Pty Ltd, 36 Whitelaw Place Richlands QLD 4077	P # 07 3879 5999
VICT TAS SA NT	– SAL National Pty Ltd, 46-48 Keys Road Moorabbin Victoria 3189	P # 03 9532 3168
WA	– SAL National Pty Ltd, 29 Beringarra Av Malaga WA 6090	P # 08 9248 7458

Step # 3 – Upon review of your claim and if the product is required to be returned to SAL for technical evaluation, then at the owners expense the product must be returned to SAL as per the above nominated locations.

Step # 4 – Pending the evaluation, the claim will be validated resulting in the product being repaired or replaced with the same or best equivalent product at the discretion of SAL, or rejected if the product fault was found to be caused by conditions beyond the responsibility of SAL warranty obligations. Consideration of installation, product removal, return freight and or testing fees are not the responsibility of SAL.