

**Installation Manual**

## SHADOW-2-WB

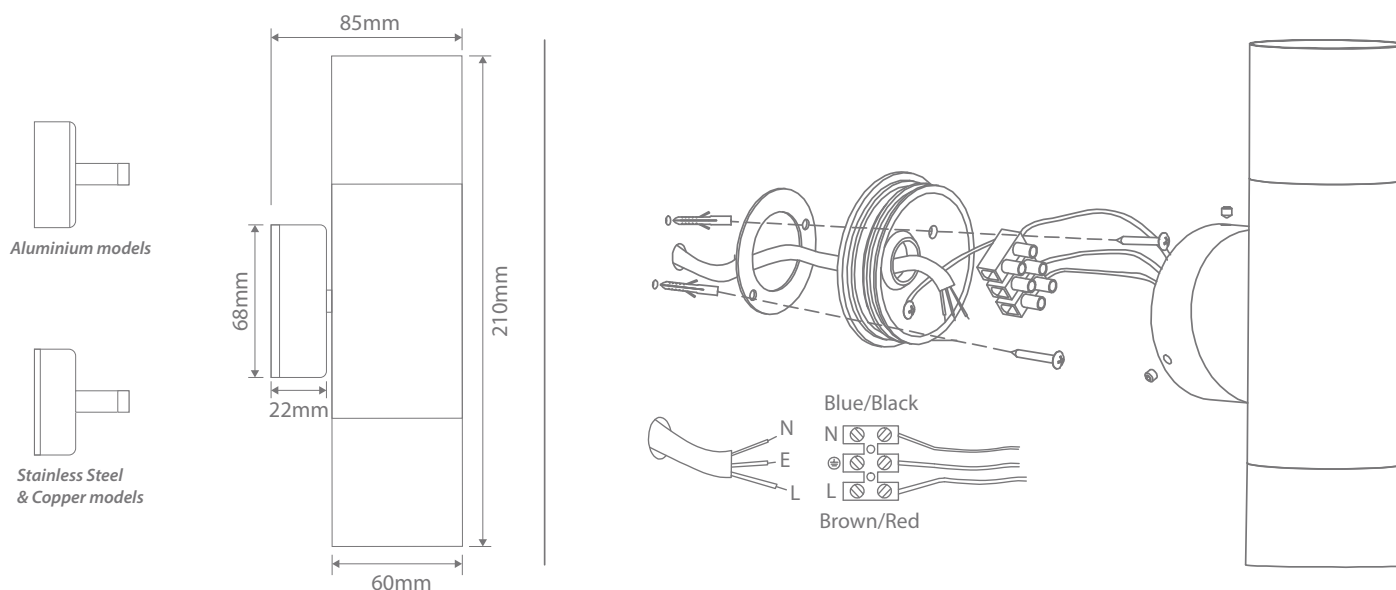
Description: Twin light, Up/Down wall light

Variant	Item No.	Finish	CCT
49021	SHADOW-2-WB	Black finish	N/A
49188			3000K
49190			5000K
49026		TRIO	
49024		White finish	N/A
49206			3000K
49023			5000K
49027		TRIO	
49200		Titanium Silver finish	N/A
49202			3000K
49024			5000K
49028		TRIO	
49192		Copper finish	N/A
49194			3000K
49025			5000K
49029		TRIO	
49025		316 Stainless Steel finish	N/A
49196			3000K
49198	5000K		
49030	TRIO		

Thank you for purchasing your new SHADOW-2-WB, Please take the time to read and understand the instruction sheet below. Failure to do so may void warranty.

### Specifications

Voltage:	240V	Power:	2x35W Max		
Lamp:	GU10	IP Rating:	65		



**Note:** -The lamp must be installed by professional electrician  
 -Ensure the power supply is switched off before fitting this product

-Do not touch the lamp when in use  
 -Keep away from hot steam and corrosive gas