

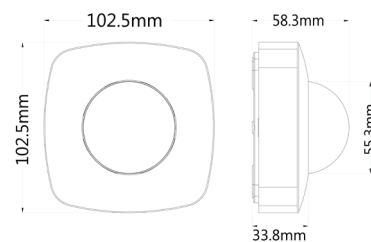
INFRARED MOTION SURFACE MOUNTED SENSOR - SENS005

Specification

Part No.	SENS005
Mounting Type	Surface Mounted
Input voltage	220-240V AC 50/60Hz
Detection Range	360°
Detection Distance	20m Max (<24°C)
Detection Motion Speed	0.6-1.5m/s
Rated Load	2000W HAL/ 1000W CFL/ 400W LED
Time Delay	Min.10sec±3sec Max.15min+2min (restarts from last movement)
Ambient Light	<3-2000lux (adjustable)
Ambient Temp	-20 to +40°C
Working Humidity	<93%RH
Power Consumption	approx 0.5W
Installation Height	2.2-6m
Housing Material	PC
IP Rating	IP20
Warranty	5 year replacement warranty

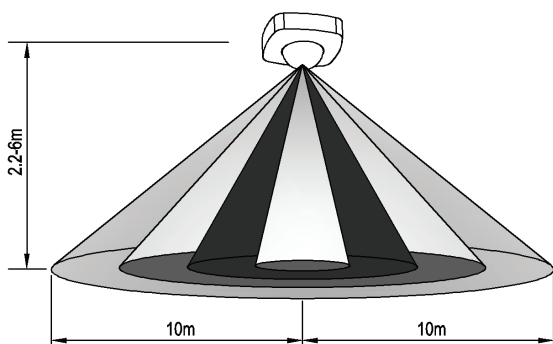


SENS005

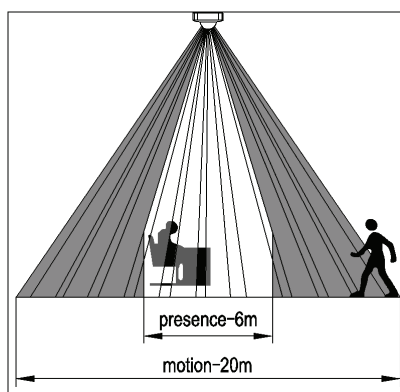


- UV resistant
- 3 wire
- Day/Night recognition
- Manual override

- (1) To operate as a light only (i.e. override sensor), turn power off for 3 seconds and then back on
- (2) To reverse the override function (i.e. re-introduce the use of the sensor), turn power off for 10 seconds and then back on



Height of installation: 2.2-6m



Detection Distance: Max.20m

