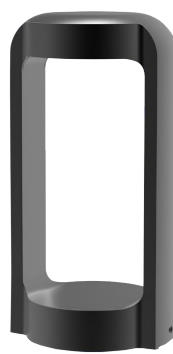
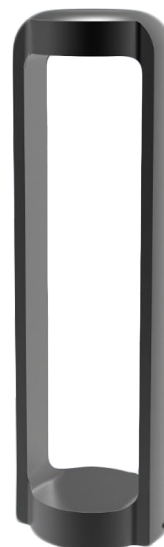


SEKER SERIES

Exterior LED Bollard Lights



SEKER1
(Bollard Light)

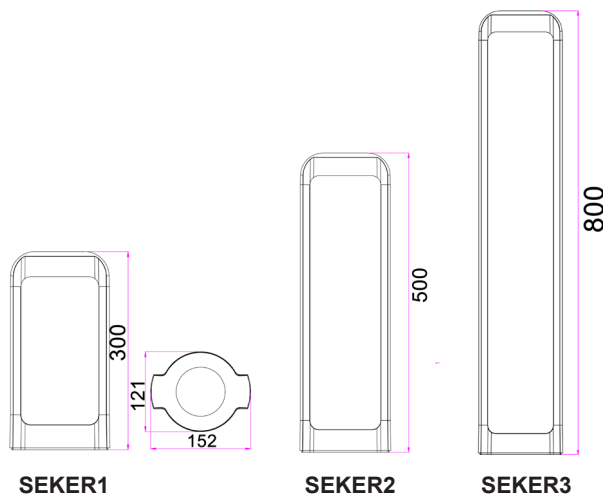


SEKER2
(Bollard Light)



SEKER3
(Bollard Light)

- Exterior LED surface mounted bollard lights
- Input voltage range: 100-240V AC 50/60Hz
- Inbuilt driver output range: 18-42V
- Housing: powder coated aluminium
- Heatsink & mounting bracket: aluminium
- LED chip: 1pc 7070
- Power factor: >0.5
- Ambient temperature: -20 to 50°C
- Not for use inground
- Not suitable for dimming
- Suitable for 2-way switching
- Suitable for use with PIR or Microwave sensors
- Bollard lights can not be used inground
- To maintain the IP rating please use circular cable in junction
- For parallel and single connection we recommend using an appropriate IP68 connector (CLA Connector: CONN001 & CONN002)





30,000hr
Lifetime



253.9°
Beam Angle

IP65
Rated

3YEAR
Replacement
Warranty

Part No.	Description	Kelvin	Lumens	Watt	CRI	Dimensions	Mounting Plate	Weight	Box	Carton QTY
SEKER1	BOLLARD LED Dark Grey Short	3000K	530LM	13w	80	H 300mm	152x121mm	1.3kg	31x17x13cm	1/8
SEKER2	BOLLARD LED Dark Grey med	3000K	530LM	13w	80	H 500mm	152x121mm	1.7kg	51x17x13cm	1/4
SEKER3	BOLLARD LED Dark Grey long	3000K	530LM	13w	80	H 800mm	152x121mm	2.4kg	81x17x13cm	1/4

*These bollards are designed for mounting on a solid surface such as a concrete path or sturdy timber decking

*To avoid disappointment and warranty problems, please ensure the IP rating of the chosen product is relevant for the intended use.

*Must be installed by a licenced electrician (Installation instructions sheet provided in each product box)