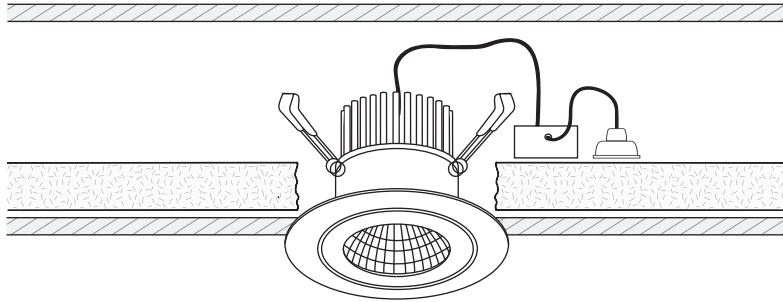
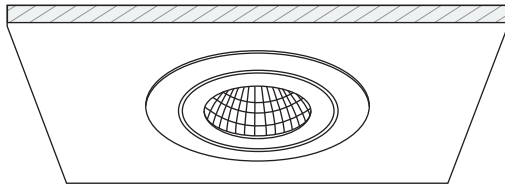


5 We recommend removing insulation sitting directly on top of the luminaire to ensure optimal performance. However, this is not mandatory as the luminaire meets or exceeds the requirements for IC-4 when covered. Do not cover the driver.



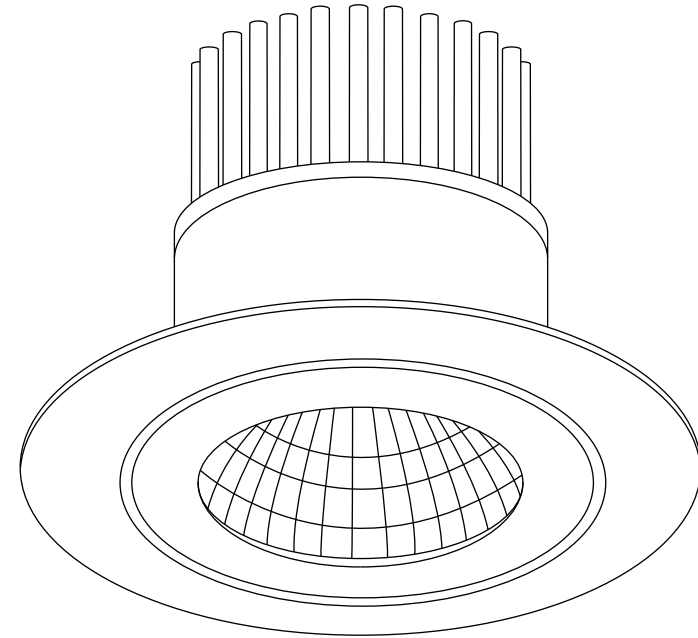
6 Restore power once installation has been completed.



V1-01.04.2023 Product designs and technical data may be subject to change

Resiled RDF8 Recessed Downlight

Installation Guide



Resiled RDF8

Trend Lighting Co. Pty Ltd



trendlighting.com.au

For warranty information, please visit

trendlighting.com.au/warranty

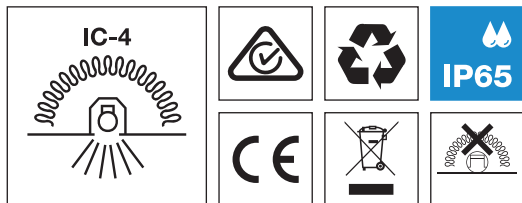
Important Safety Information

Please read these installation instructions carefully before installing this luminaire.

- This product must be installed by a licensed electrician in accordance with AS/NZS 3000 and local regulations.
- Isolate the mains power supply prior to installation.
- Only reconnect mains power after installation is completed.
- No part of the luminaire should be altered or modified.
- This product is not user serviceable.

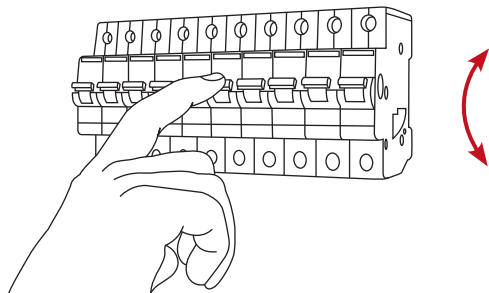
Approvals

The Resiled range is IC-4 rated and can be installed in locations where it is covered or abutted with thermally insulating material in accordance with AS/NZS 60598.2.2:2016.

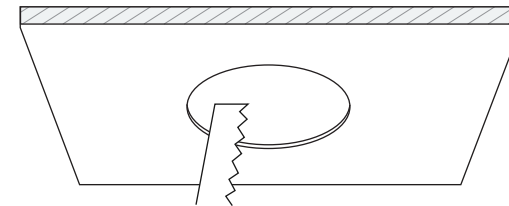


The RCM marking of this product applies to AS/NZS 4417.1 "Regulatory compliance mark (RCM) for electrical and electronic equipment". This product is designed to conform to AS/NZS 60598 "Luminaires, general requirements and tests".

- 1** Isolate the mains power supply prior to commencing installation.

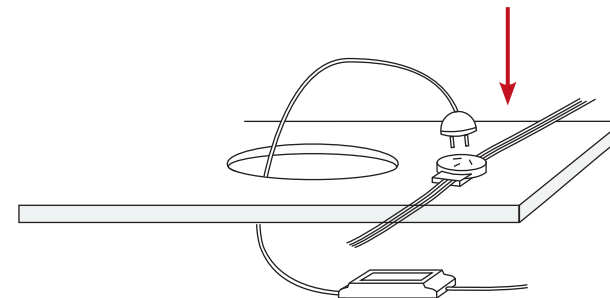


- 2** Mark at the correct location. Cut a hole in the ceiling in accordance with cutout size. RDF8 ceiling cutout: **76-92 mm**



To maintain IP65 rating on RDF8, ensure that the luminaire is installed on a flat, level ceiling and that the luminaire has an adequate seal to the mounting surface.

- 3** Connect luminaire to 240V plug socket.



- 4** Lift the springs upward to ensure the luminaire can be installed into the mounting hole.

