



**BATHROOM HEATER  
PROFILE PLUS 2  
3 IN 1 HEAT, FAN, LIGHT**

Dear customers,  
Thank you for selecting Martec Bathroom Heater 3 in 1. Please read all instructions before commencing installation.

**IMPORTANT:** This unit must be installed to comply with the appropriate council regulations and the Australia and New Zealand wiring rules AS/NZS3000:2000 or latest edition thereof.

The main supply and interconnecting cables required for installation of this unit are not included.

**WARNING - INSTALLATION ONLY TO BE BY QUALIFIED PERSONS**

1. Use this heater only as described in this manual. The manufacturer does not recommend any other use as this may cause fire, electric shock, or injury to persons. If you have questions, contact the manufacture or local agent.
2. All wiring must be carried out by a Licensed Electrician in accordance with all applicable codes and standards.
3. Make sure the power is off before the installation.
4. When cutting into the wall, do not damage electrical wiring and other hidden utilities.
5. The heater must be properly grounded.
6. The lamps are hot when in use. Do not touch the infrared lamps with any part of your body when in use.
7. For the purpose of avoiding any dangerous gas leaking into your bathroom, the ventiduct of the heater must not be laid together with the ventiduct of air-fueled water heater or other open-fire appliances into the same flue.
8. The disconnection may be achieved by having the plug accessible or by incorporating a switch in the fixed wiring in accordance with the wiring rules. The heater must be isolated from the power by means of a plug or all-pole disconnection switch with a contact separation of at least 3mm in each pole.
9. The power cable must stand a minimum 5A load.
10. The appliance is not intended for use by persons (including children) with reduced physical, sensory or mental capabilities, or lack of experience and knowledge, unless they have been given supervision or instruction concerning use of the appliance by a person responsible for their safety.
11. Children should be supervised to ensure that they do not play with the appliance.
12. The heater is to be installed so that switches and other controls cannot be touched by a person in the bath or shower.
13. The appliance shall, under no circumstances, be covered with insulating material or similar material.
14. Regulations concerning the discharge of air have to be fulfilled.
15. Joists, beams and rafters shall not be cut or notched to install the appliance.

**IMPORTANT CONSIDERATIONS BEFOR INSTALLING**

A few minutes of planning can make a big difference to the installation time and also to your satisfaction with the function of the unit.

1. The unit should not be installed directly above a shower or bathtub. The unit must not be installed in a position where water may splash onto the lamps.
2. The unit must not be installed beneath a fixed socket.
3. The unit is designed for installation in flat ceilings only. Do not mount it on a sloping ceiling or a vertical wall.
4. The infrared lamps are most effective when you are standing directly beneath them, so generally the unit would be mounted a place where you would stand to dry yourself.
5. For the exhaust fan to work efficiently, replacement air of a volume equivalent to what is being extracted must be able to enter the room. Generally, this air would be drawn under the door, or through a slightly open window. If the room is airtight, the fan will function poorly.
6. Before commencing any cutting, check in the ceiling space that there are no obstructions such as ceiling joists and that there is sufficient height clearance for the housing. Check that the electrical wiring can be routed from the wall switches to the mounting location.

**INSTALLATION**

**1. Cutting a vent**

Locate a vent position (above the ceiling) on the wall, and then cut a 125mm diameter hole at this very position.

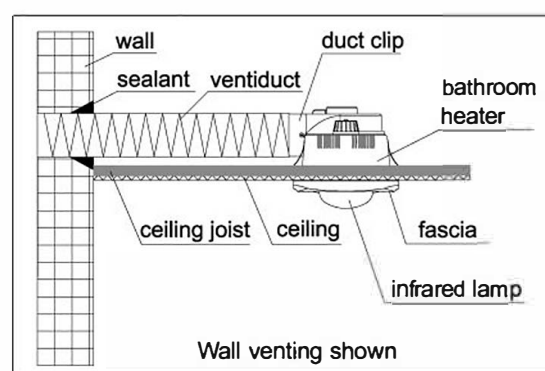
**2. Ducting**

Put one end of the 120mm diameter ventiduct into the vent hole and seal space around the hole using a suitable sealant and cowlng where necessary.

**Note:** Since the length of each duct is 3.0m, make sure that from the centre of installation position there should be a distance within 3.0m to the outside vent.

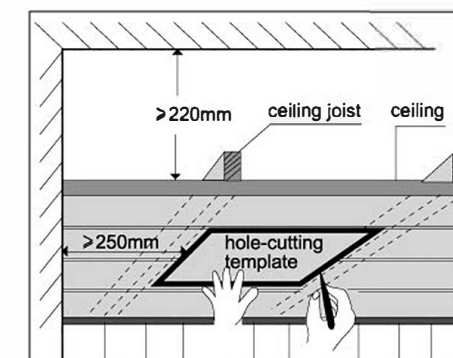
**3. Suitable loacation**

For the purpose of obtaining the best heating results, the heat lamps should be no more than 2.3m from the ground.



**4. Prepare the ceiling**

Cut around the attached hole-cutting template and use this template to mark the hole outline on the ceiling. Make sure a distance between the edges and wall is no less than 250mm. Also from the rooftop should be a minimum 220mm height to the ceiling.



**5. Remove the Fascia**

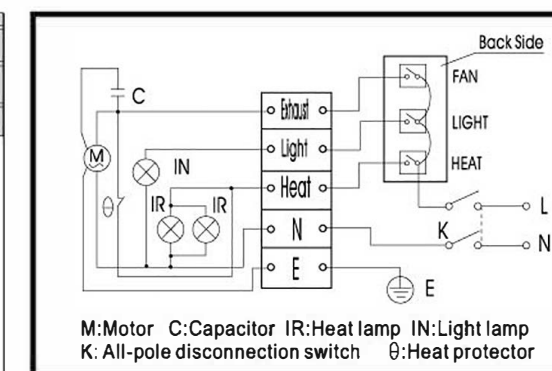
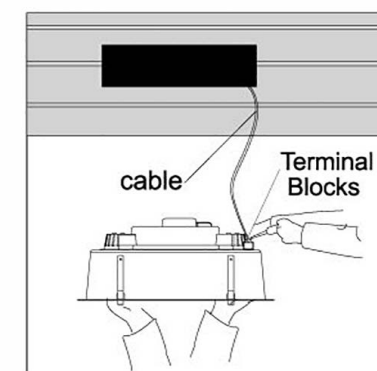
Remove 2 heat lamps from the heater. Unclip the internal fascia-retaining springs inside the housing. Remove the fascia. Remove the LED lamps.

**Note:** Do not force when removing the heating lamps.

**6. Wiring**

Connect one end of the interconnecting wire with the switch panel, and then drag the other end power cable out of the hole on the ceiling. Open the terminal block cover on the housing and make connection as the wiring diagram instructs, then reposition the terminal block cover. Tuck the redundant wire into the ceiling so as to leave the housing enough room to fix in.

**Note:** Ensure that the power is turned off before carrying out any work on electrical installations.



Read and save these instructions!

Please take this card as hole cutting template 435mm×255mm.

**7. Fit the in-house end of the duct to the fan outlet, and fix the end with duct clip.**

**Note:** Keep the route as straight as possible.

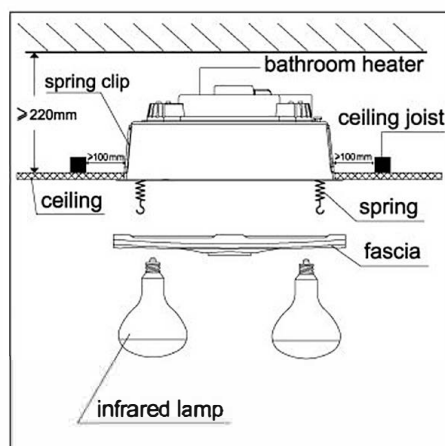
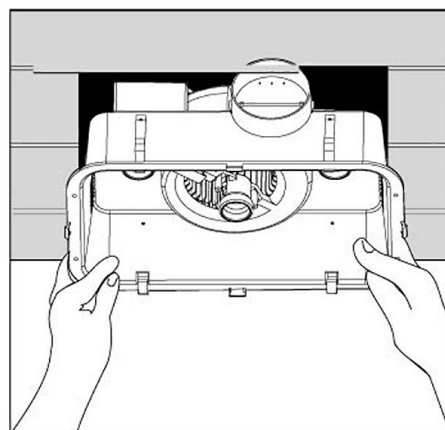
**8. Position the housing into the hole**

Choose an optimal direction to put the housing into the hole in accordance with the position of the fan outlet. Use the two spring clips to fix the housing. Ensure that the unit is held securely by the clips.

**Note:** Try to keep the redundant wire away from the housing.

**9. Final installation**

- 1) Replace the LED lamps.
- 2) Replace the fascia  
Replace the fascia and retaining springs.
- 3) Replace the heat lamps  
Ensure the lamps are tightened sufficiently to make good electrical contact. Clean the lamps and fascia.
- 4) Fix the switch panel to the wall  
**Note:** The switch wiring should be mounted inside the wall to give the switch an integrated built in appearance. If it is necessary to run the wiring on the outside of the wall, use a suitable conduit and fixings to properly locate and hold the wiring used.



For the exhaust fan to work efficiently, replacement air of a volume equivalent to what is being extracted must be able to enter the room. In general this air would be drawn from under the door, or through a slightly opened window. If the room is air-tight, the fan will function poorly.

**USE**

Our bathroom heater uses the infrared heating lamps as a source of heat. It also combines the functions of exhaust and light.

**1. Heat**

'HEAT' button On/Off

Each individual infrared lamp has been sprayed with 4°C cold water to ensure that there are no flaws in the construction.

**Note:** Do not touch the infrared lamps with any part of your body when in use.

**2. Exhaust**

'FAN' button On/Off

This unit can exhaust odours and steam in a quick and efficient way by turning on the "FAN" button.

**3. Lighting**

'Light' button On/Off

**Note:** Do not switch on/off frequently when in use. Shut off the power if in long vacancy.

**MAINTENANCE**

**1. Clean**

- 1) Shut off the power before cleaning.
  - 2) Wipe lamps and fascia with care using a soft cloth soaked with a neutral detergent.
- Note:** Ensure the lamps are cool to touch before handling.

**2. Lamp Replacement**

- 1) Check and tighten lamps regularly.
- 2) Shut off power before replacement.
- 3) Use GU10 9W manimum led lamps for lighting.
- 4) Use 2x275W E27 infrared heat lamps.

**Note:** It may affect operation (even cause danger) when lamps, other than the designated ones, are used.

**WARRANTY**

The unit is warranted against defects in manufacturing and workmanship for a period of 2 years. The warranty does not extend to lamp globes supplied or installation of the unit or any associated wiring or any damage caused by installation or wiring.

The installation must be conducted by a licensed electrician and a suitable certificate of safety is to be issued by the electrician who installed the unit. Warranty claims will be voided unless a certificate of safety can be produced when required, prior to service or repair.

**This warranty does not cover damages or loss caused by:**

- 1) Heat or light lamps.
- 2) Any consequential losses arising from incorrect installation or operation or maintenance of this product.
- 3) Any consequential losses arising from incorrect wiring of this product.
- 4) Any modifications or changes made to the unit, other than those recommended by the Manufacturer.

**ACCC Required Statement**

Our goods come with guarantees that cannot be excluded under the Australian Consumer Law. You are entitled to Martec replacing the product in home with parts and labour for a major failure. You are also entitled to have the goods repaired or replaced if the goods fail to be of acceptable quality and the failure does not amount to a major failure. Martec offers an in home warranty that includes parts and labour so the end consumer is not out of pocket.

**MAIN TECHNICAL PARAMETERS**

Model Number	MBHP2LW, MBHP2LS
Rated Voltage	230V-240V
Rated Frequency	50Hz
Rated Power	550 - 610W

**LIST OF ACCESSORIES**

Operation unit	1 piece
Infrared lamp (E27)	2 pieces
Light lamp	3 pieces
Installation instruction & hole-cutting template	1 piece
Warranty card	1 piece
Ventiduct kit	1 set
Duct clip	2 piece
Switch	1 piece

Fill out the following details and file with the purchase invoice for warranty service.

MODEL NO.:

Purchased from:

Date of purchase:



MARTEC Pty Ltd  
ABN: 82 599 302 308

We reserve the rights to revise this instruction without any prior notice.

Read and save these instructions!

Please take this card as hole cutting template 435mm×255mm.