

PIPER-1-ROUND

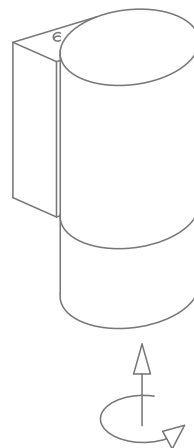
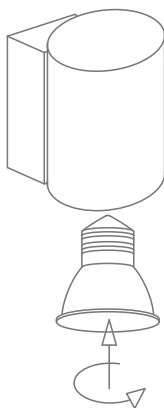
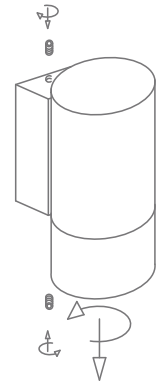
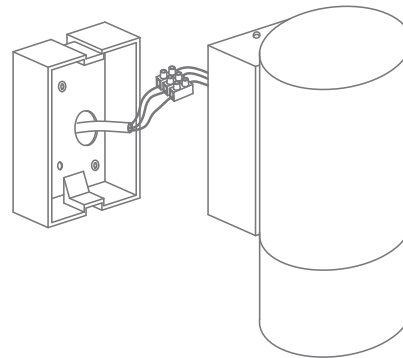
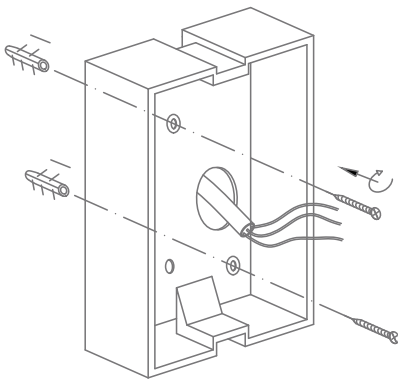
Date: 10/2020

Variant	Item No.	Description
49250	PIPER-1-RND-BLK	LED Wall Light, requires PAR30 Lamp. Black finish
49253	PIPER-1-RND-DGR	LED Wall Light, requires PAR30 Lamp. Dark grey finish
49256	PIPER-1-RND-WHT	LED Wall Light, requires PAR30 Lamp. Satin white finish

Thank you for purchasing your new LED PIPER-1-RND, Please take the time to read and understand the instruction sheet below. Failure to do so may void warranty.

Specifications

Voltage:	240V	Power:	20W LED Max	IP Rating:	IP65
CRI:	≥80	Requires:	PAR30 E27 Lamp		



Note: -The lamp must be installed by professional electrician
-Ensure the power supply is switched off before fitting this product

-Do not touch the lamp when in use
-Keep away from hot steam and corrosive gas