

PARK-DIFF Series

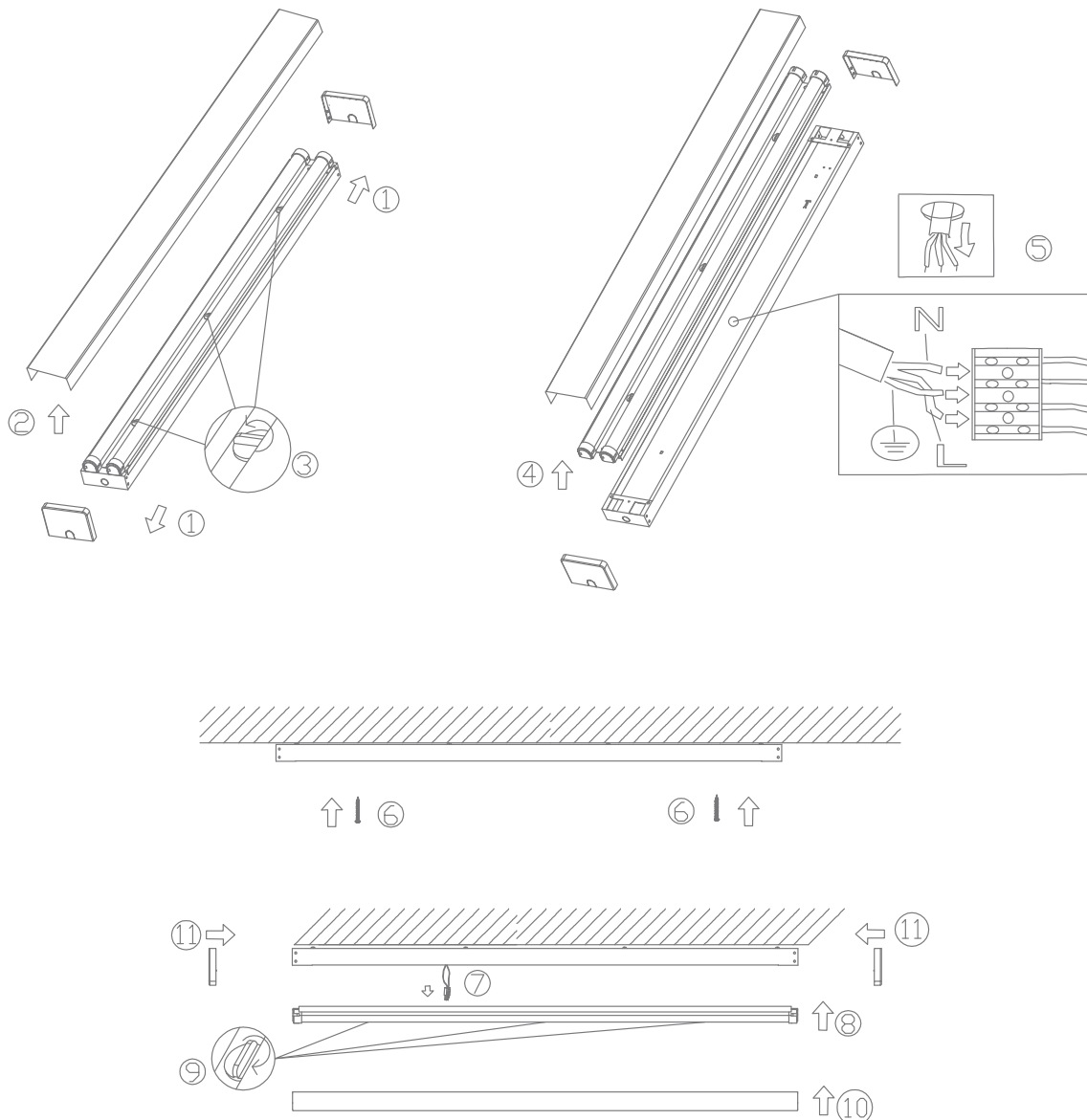
Thank you for purchasing your new PARK Batten Light, Please take the time to read and understand the instruction sheet below. Failure to do so may void warranty.

Specifications

| | | | | | |
|------------|------|--------|-----------------------|-------------|------|
| Voltage: | 240V | Power: | 7.5W/15W - 15W/30W | Beam Angle: | 120° |
| IP Rating: | IP20 | CCT: | 3000K - 4000K - 5000K | CRI: | ≥80 |
| Dimmable: | No | | | | |

| PARK-60 - Lumen (±5%): | | |
|------------------------|---------------|---------------|
| WW 3000K | NW 4000K | W 5000K |
| 950lm/1800lm | 1000lm/1950lm | 1000lm/1850lm |

| PARK-120 - Lumen (±5%): | | |
|-------------------------|---------------|---------------|
| WW 3000K | NW 4000K | W 5000K |
| 2050lm/3850lm | 2100lm/4050lm | 2050lm/3900lm |



Note: -The lamp must be installed by professional electrician
-Ensure the power supply is switched off before fitting this product

-Do not touch the lamp when in use
-Keep away from hot steam and corrosive gas