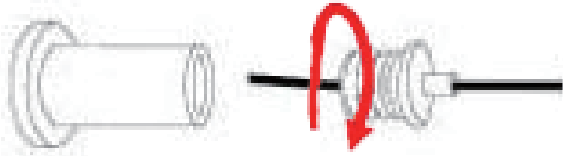


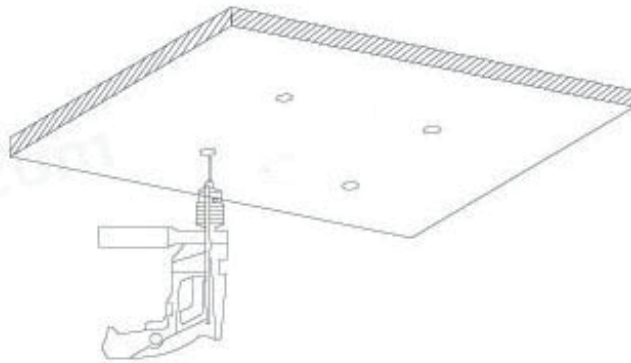
## PANELSPKIT: T-bar Ceiling Suspension Instruction

1



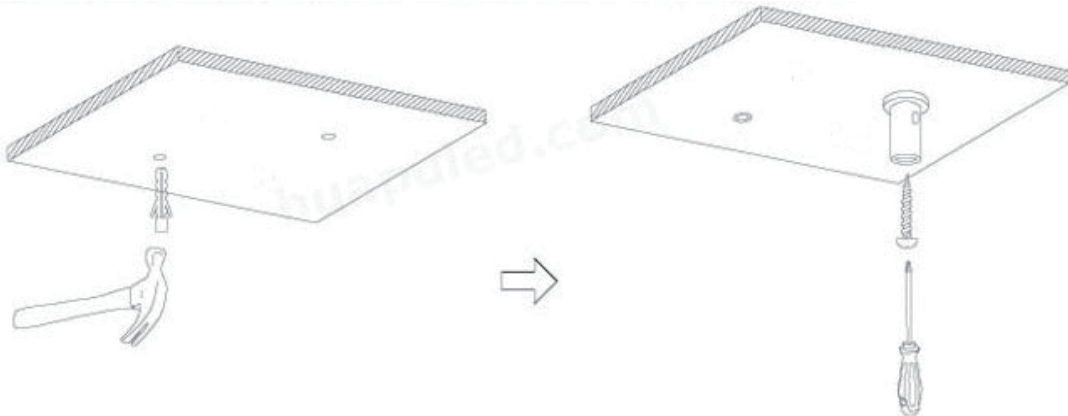
1. Separate the 'T' shape screw nut from the steel wire.

2



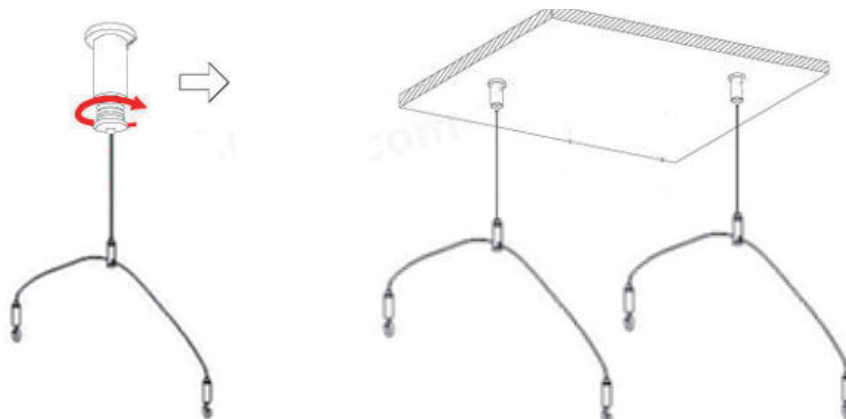
2. Mark the drill hole on the ceiling, and drill the hole for the expansion bolts.

3



3. Put the bolt in the hole, using screw to install the 'T' shape screw nut.

4



4. Put the steel wire into the 'T' shape screw nut.

## PANELSPKIT T-bar Ceiling Recessed Installation with seismic restraint kits

