

NOVADLUX02

LED Dimmable with **CHANGEABLE FACEPLATE(via clip)** Recessed Downlights

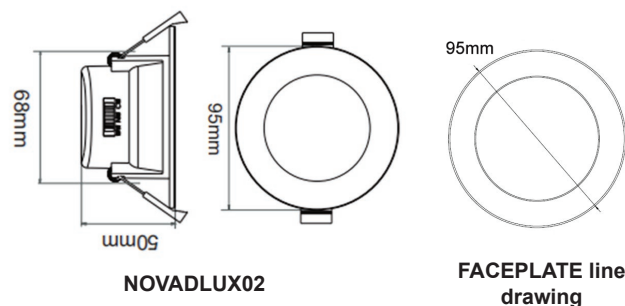
TRI-CCT 3000K 4000K 5700K

- Input voltage range: 220-240V 50/60Hz
- Inbuilt constant current driver included
- Housing: aluminium & plastic
- Faceplate: White: plastic
- Faceplate: Satin chrome, matt black & brass: aluminium
- Diffuser: frosted PC
- Tri-CCT (3000K/ 4000K/ 5700K) in one fitting
- CCT switch on side
- LED chip: 20pcs SMD2835
- Power factor: 0.9
- CRI: ≥80
- Flex & plug: 600mm
- Ambient temperature: -20 to 40°C
- Suitable for dimming
- Suitable for 2-way switching
- Suitable for use with sensors



Tested & Recommended Dimmers:

BRAND	PART NO.	PCS PER DIMMER
CLA	LYNX	NOVADLUX02: 1-10PCS
CLIPSAL	32E450TM	
HPM	CAT400T	
DIGINET	MEDM, MMDM/RT	



NOVADLUX02 Box Include:

- 1x Downlight (NOVADLUX02) with white faceplate
- 1x Loose Satin Chrome (NOVADSC02) faceplate



NOVADLUX02



NOVADSC02

Available faceplates (Sold Separately):

- Matt Black (NOVADBLK02)
- Antique Brass (NOVADBR02)



NOVADBR02



NOVADBLK02

PART NO.	DESCRIPTION	LUMENS			WATT	PRODUCT DIMENSIONS (mm)	CUT OUT (mm)	BOX WEIGHT (kg)	BOX DIMENSIONS (cm)	CARTON QTY
		3000K	4000K	5700K						
NOVADLUX02	D/L LED FIXED WH+S/C DIMM RND TRI	640lm	720lm	680lm	8	Ø95x50	Ø70	0.18	10.5x10.5x6.5	1/50
NOVADBLK02	FACEPLATE TO SUIT NOVADLUX02 MATT BLK OD 95mm									
NOVADBR02	FACEPLATE TO SUIT NOVADLUX02 ANTIQUE BRASS OD 95mm									