

Neo-Pro-13-SM LED Surface Mounted Downlight



Description

The NEO-PRO range of LED downlights are the latest upgrade to the NEO Series, with improved functions such as TRIO Tri-colour switchable technology as well as a higher IP Rating for wet areas. Designed to reduce glare as well as maintaining high performance in light output and energy consumption. LED recessed downlight with anti-glare deep set frame, frosted diffuser, and an integrated dimmable LED driver with flex & plug. Fully dimmable with suitable dimmers. Now with TRIO, the added option of changing the colour temperature output of the downlight with a dip switch at the back of the fitting.



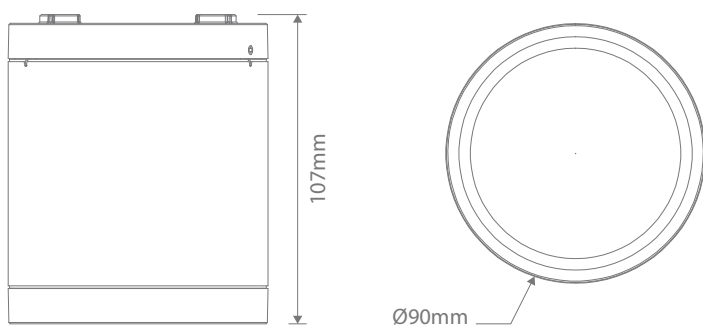
Specification Features

Input Voltage:	240V
Power (W):	13
IP rating (IP):	IP65**
Lumens (lm):	Warm White 3000K - 1000lm Neutral White 4000K - 1200lm White 5700K - 1100lm
LED type:	SMD
CCT:	3000K - 4000K - 5700K (Switchable)
CRI:	≥90
Beam angle (°):	75°
Dimmable:	Yes*
Lifespan (hrs):	50,000hrs

*Fully dimmable with suitable dimmers.

**IP65 from front only.

Diagrams / Additional



Item No.	Variant		CCT
	Wht	Blk	
NEO-PRO-13-SM	20891	20890	TRIO
	DALI		
	20607	20608	TRIO