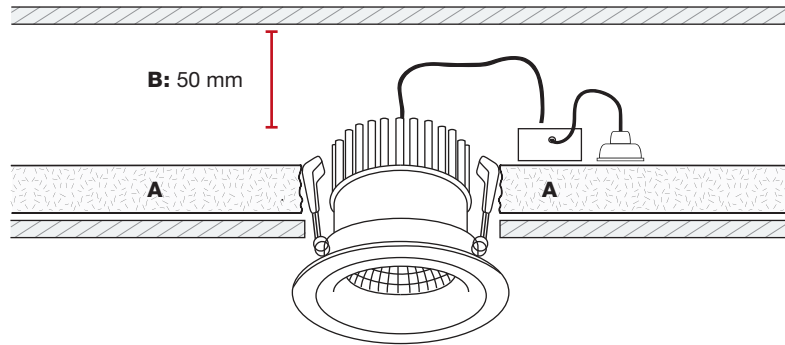
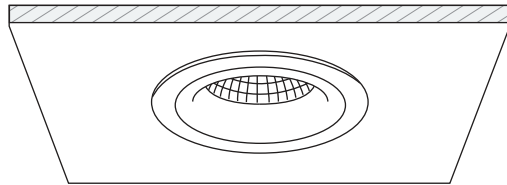


- 5** Do not cover luminaire or driver with thermally insulating material **(A)**. It is recommended to allow a minimum of 50 mm clearance above the luminaire as seen in **(B)**.



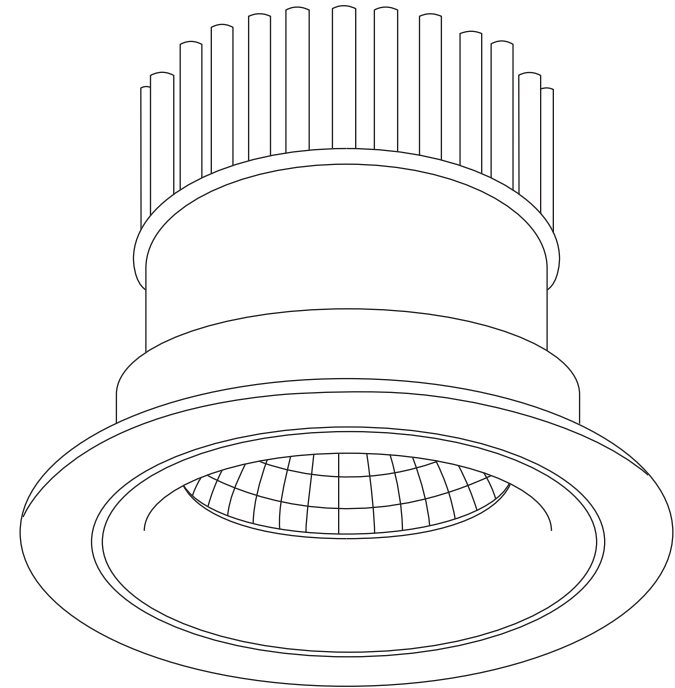
- 6** Restore power once installation has been completed.



V1-01.04.2023 Product designs and technical data may be subject to change

Microled MDG6 Recessed Downlight

Installation Guide



Microled MDG6

Trend Lighting Co. Pty Ltd



trendlighting.com.au

For warranty information, please visit
trendlighting.com.au/warranty

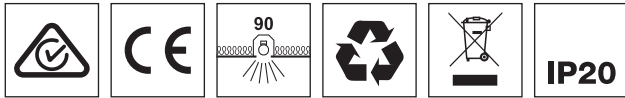
Important Safety Information

Please read these installation instructions carefully before installing this luminaire.

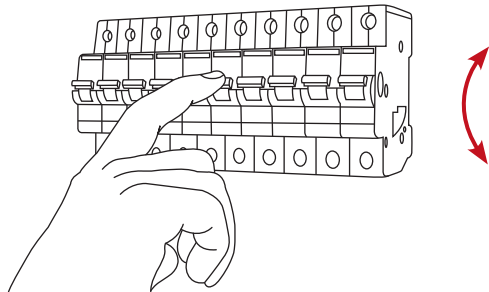
- This product must be installed by a licensed electrician in accordance with AS/NZS 3000 and local regulations.
- Isolate the mains power supply prior to installation.
- Only reconnect mains power after installation is completed.
- No part of the luminaire should be altered or modified.
- This product is not user serviceable.

Approvals

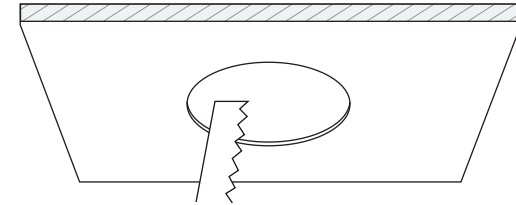
The RCM marking of this product applies to AS/NZS 4417.1 "Regulatory compliance mark (RCM) for electrical and electronic equipment". This product is designed to conform to AS/NZS 60598 "Luminaires, general requirements and tests".



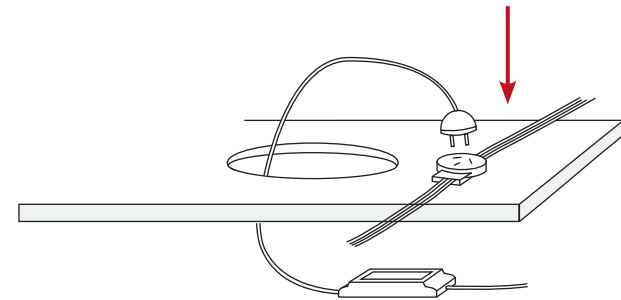
- 1** Isolate the mains power supply prior to commencing installation.



- 2** Mark at the correct location. Cut a hole in the ceiling in accordance with cutout size.
MDG6 ceiling cutout: **62 mm**



- 3** Connect luminaire to 240V plug socket.



- 4** Lift the springs upward to ensure the luminaire can be installed into the mounting hole.

