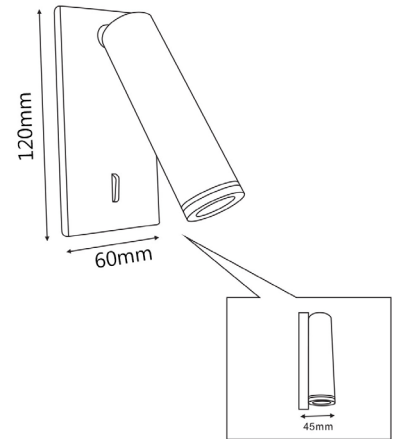




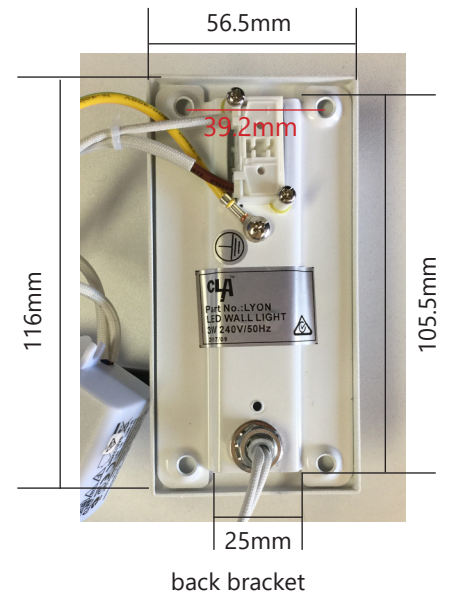
LYON

LED Interior Adjustable Surface Mounted Wall / Reading Light



Product Features

- Input voltage range: 220-240V AC 50/60Hz
- Inbuilt constant current driver included
- Driver output voltage range: 2.5-4V
- Driver input current: 0.1A
- Driver output current: 0.7A
- Driver will be in the cavity
- Material: aluminium alloy powder coated white
- Back plate: iron
- On/off switch included on backplate
- Power factor: 0.5
- Ambient Temp: -20 to +50°C
- Not suitable for use with dimmers
- Suitable for 2-way switching
- Suitable for use with PIR or Microwave sensors



30,000hr Lifetime	120° Beam Angle	IP20 Rated	2YEAR Replacement Warranty
----------------------	--------------------	----------------------	---

PART NO.	KELVIN (K)	LUMENS (LM)	Lumious Efficiency	WATT (W)	LEDs	CRI	CUT OUT (MM)	WEIGHT (Kg)	BOX (cm)	CARTON QTY
LYON	3000	342	92lm/W	3	1pc 3535	≥80	110x30	0.43	17.5x9x6	12