

IMPORTANT: IN THE INTEREST OF PRODUCT PERFORMANCE AND SAFETY PLEASE READ THESE INSTALLATION AND WARRANTY INSTRUCTIONS BEFORE INSTALLING THE PRODUCT.



SAL products are designed in accordance with all mandatory International and Australian Standards, which require installation by a qualified installer and regular cleaning and maintenance of the equipment. Products are sold in accordance with the following instructions and SAL standard terms and conditions of sale, available via www.sal.net.au.

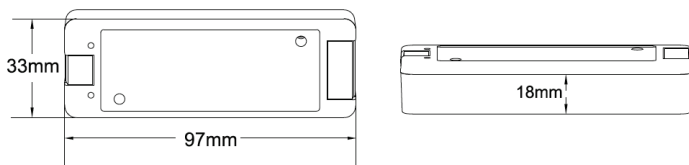
Single Channel Low Voltage LED Power Repeater, product electrical and installation specification effective 30/10/2018.

Model No.
LT8914 DIM/RP

Design Specification

- Paired with SAL LT8913 DIM & LT8915 DIM, expand the output power of the controller to control more lamps
- A controller can connect an unlimited number of LED power repeaters in series or in parallel, to achieve the synchronized control effects
- Input voltage: 5-36VDC
- Output current: 1CH, 8A
- Output power: 40-288W
- Working temperature: -20°C~55°C
- Product size: L97xW33xH18mm
- Net weight: 41g

Dimension



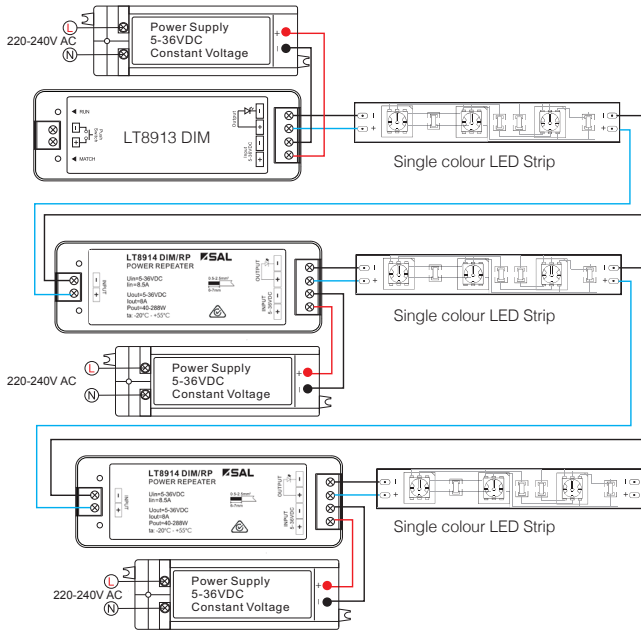
General product application requirements (where applicable):

- 1. Recycling:** SAL encourages recycling, please consider the environment when disposing of packaging & components.
- 2. Switching or test intervals** – For optimum product performance, good design practice does not encourage 24/7 operation of lighting products without the provision of a routine switching or regulatory test cycle. As a guide for continual operation installations, a twelve (12) hour duration for Industrial and Commercial applications and a six (6) hour duration for Residential applications should be considered.
- 3. Product maintenance** – In line with the relevant design standards and to protect your investment, it is important to have in place a routine cleaning program that reflects the installation environment and maintains the product in a clean and functional condition. **IMPORTANT** - The supply must be isolated before any product maintenance or cleaning is conducted. In addition, damage to ANY cable or cord supplied with the product must be addressed as follows; For attachment type X having a specially prepared cable, if the external flexible cable is damaged, it must be replaced by an equivalent cable exclusively available from the manufacturer or authorised installer. For attachment type Y, if the external flexible cable is damaged, it must be exclusively replaced by an equivalent cable by the manufacturer or authorised installer. For attachment type Z, if the external flexible cable is damaged, the cable cannot be replaced and the luminaire must be destroyed.
- 4. Adverse, corrosive and coastal installation environments** – Unless the product is specifically designated for such applications in these installation instructions, which is supported by a professional maintenance program; installation of equipment in such environments is not recommended.
- 5. Dimming products** – Dimming circuits and product compatibility must be validated by the installer before installation; SAL cannot be responsible for third party changes in dimmer compatibility.
- 6. Suspended products** – For installation safety, any suspended products must NOT be installed in high air movement spaces or locations subject to impact.
- 7. Interior downlights and sensors with remote drivers -**
The mounting facilities provided for the transformer/driver (if any), need only be utilized if in the application of the product is required by AS3000. Drivers are not designed for installation environments that restrict conventional airflow.

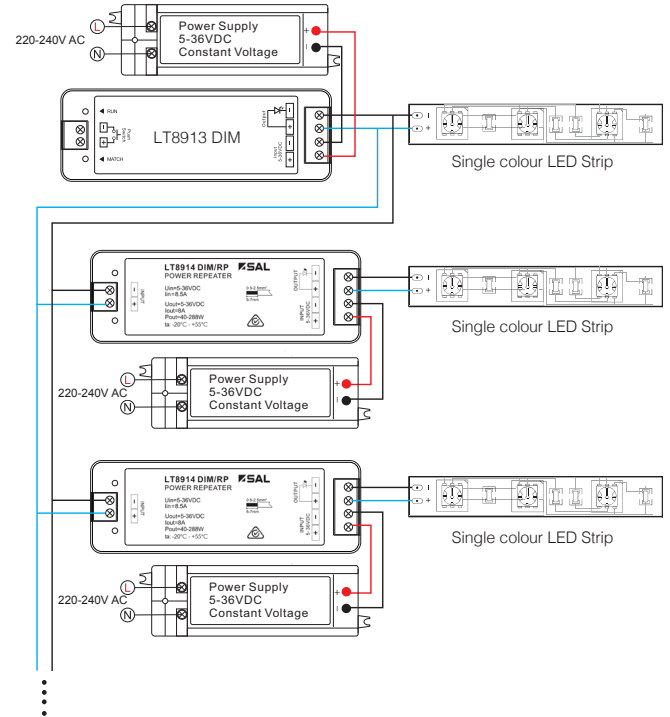
8. Specific installation procedures:

8.1 Wiring diagram

Series connection



Parallel connection



8.2 LED power supply voltage and power select:

- 5V lamp, Input 5V power supply, load 0~40W
- 12V lamp, Input 12V power supply, load 0~96W
- 24V lamp, Input 24V power supply, load 0~192W
- 36V lamp, Input 36V power supply, load 0~288W
- The power supply rating must be larger than 20% the connected load power

8.3 Troubleshooting

Issue	Cause	Troubleshooting
No light	<ol style="list-style-type: none"> 1. No power 2. Inccorret connection 	<ol style="list-style-type: none"> 1. Check the power 2. Check the connection
Uneven intensity between the start & finish of the LED strip	<ol style="list-style-type: none"> 1. Output cable is too long 2. Wire diameter is too small 3. Overload beyond power supply capability 4. Overload beyond controller capability 	<ol style="list-style-type: none"> 1. Reduce cable or loop supply 2. Correct circuit 3. Replace higher power supply 4. Add power repeater

9. Warranty

In accordance with SAL's standard terms and conditions of sale, SAL warrant this product to be free from defects in materials and or workmanship for a period as stated below for goods not subject to incorrect installation, maintenance, operation, mishandling, environmental, unauthorised modifications or electrical operating conditions outside the nominated product specification as detailed in these installation instructions. The benefits to you given by this warranty are in addition to other rights and remedies you have under law. Our goods come with guarantees that cannot be excluded under the Australian Consumer Law. You are entitled to a replacement or refund for a major failure and compensation for any other reasonably foreseeable loss or damage. You are also entitled to have the goods repaired or replaced if the goods fail to be of acceptable quality and the failure does not amount to a major failure.

Warranty term – Two years (24) months from date of purchase

How to make a claim?

Step # 1 – Within 30 days of the fault discovery, please contact the original place of the SAL product purchase during standard (local) business hours, with the following information **(a)** proof of purchase **(b)** description and quantity of the claimed fault **(c)** address of installation. **(d)** operating hours of the product

Step # 2 – It is then the responsibility of the original place of product purchase to report the matter to SAL aftersales;

NSW | ACT | QLD – SAL Pty Ltd 40 Biloela Street Villawood NSW 2163 | P # 02 9723 3099
 VICT | TAS | SA | NT | WA – SAL Pty Ltd 46-48 Keys Road Moorabbin Victoria 3189 | P # 03 9532 3168

Step # 3 - Upon review of your claim and if the product is required to be returned to SAL for technical evaluation, then at the owners expense the product must be returned to SAL as per the above nominated locations

Step # 4 - Pending the evaluation, the claim will be validated resulting in the product being repaired or replaced with the same or best equivalent product at the discretion of SAL, or rejected if the product fault was found to be caused by conditions beyond the responsibility of SAL warranty obligations. Consideration of installation, product removal, return freight and or testing fees are not the responsibility of SAL