

KEY-MR16

LED Lamp



Description

6W 12V DC globe, MR16 shape, with a wide beam for better light projection. 3000K Warm White and 5000K White LED options. 12V DC Constant Voltage LED Driver required.

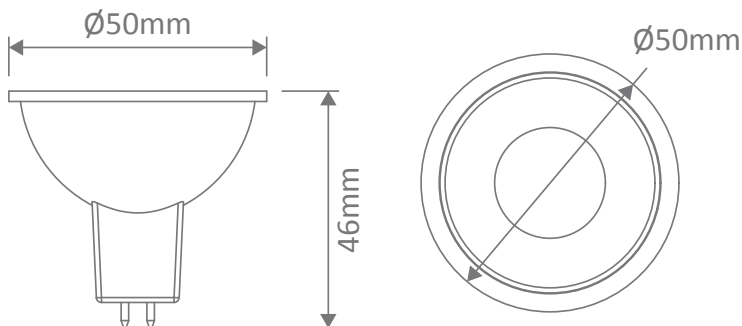


Specification Features

Input Voltage: 12V DC
 Power (W): 6W
 IP rating (IP): IP20
 Lumens (lm): Warm White 3000K - 450lm
 White 5000K - 500lm
 LED type: SMD
 CCT: 3000K - 5000K
 CRI: ≥80
 Beam angle (°): 60°
 Dimmable: Yes*
 Lifespan (hrs): 30,000hrs
 Base: GU5.3

* Tested on the Domus dimmer series. May work on others but not tested.
 12V DC Constant Voltage LED Driver required

Diagrams / Additional



Item No.	Variant	Colour
KEY-MR16-6	65012	3000K
	65014	5000K